

PARTS LIST

[MX-J300]

* All printed circuit boards and its assemblies are not available as service parts.

Area suffix	
B	U.K.
E	Continental Europe
EN	Northern Europe
EV	Eastern Europe
EE	Russian Federation

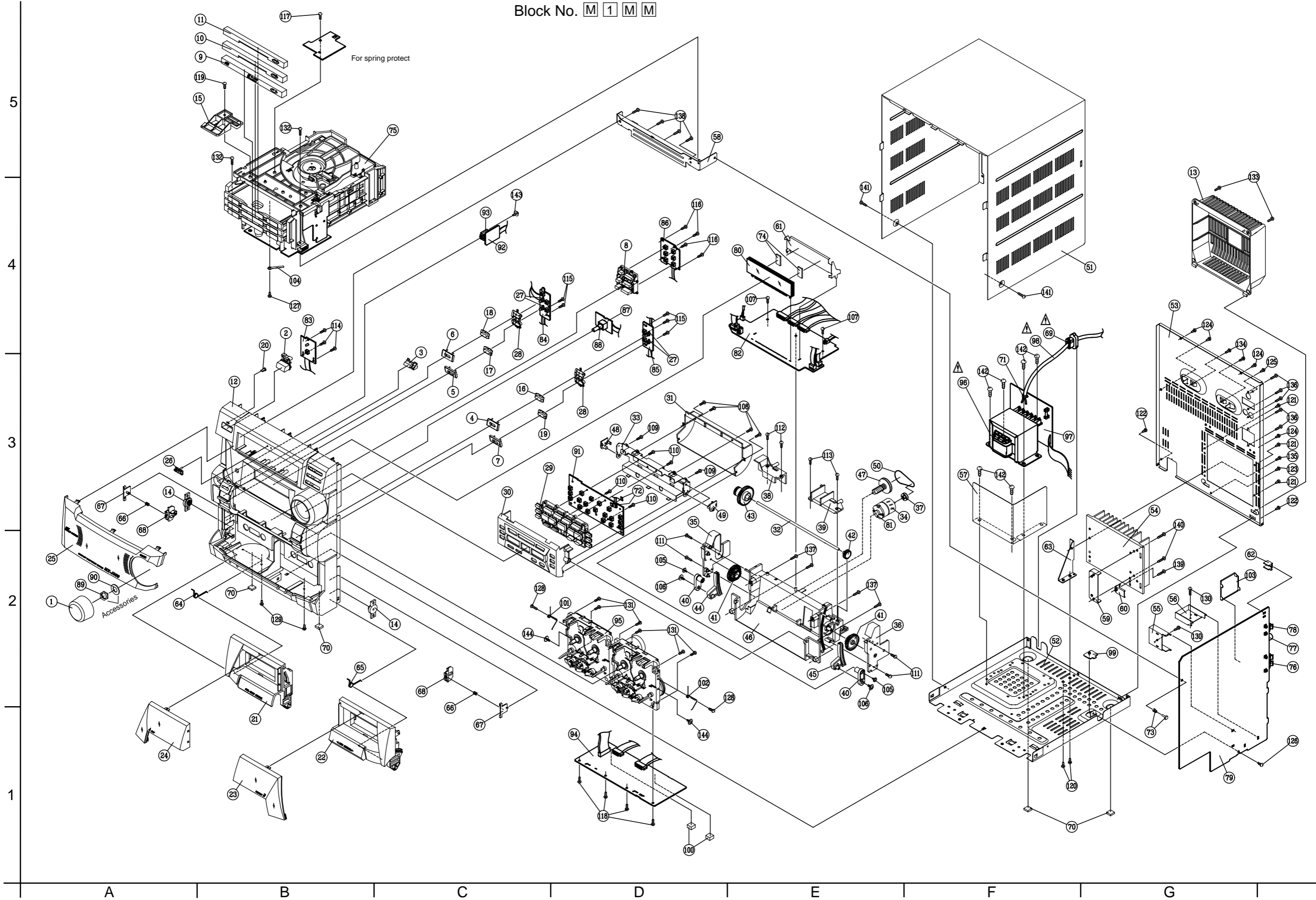
- Contents -

Exploded view of general assembly and parts list	3-3
CD mechanism assembly and parts list	3-6
CD changer mechanism assembly and parts list	3-7
Cassette mechanism assembly and parts list	3-10
Electrical parts list	3-11
Packing materials and accessories parts list	3-22

-MEMO-

Exploded view of general assembly and parts list

Block No. **M 1 M M**



■ Parts list(General assembly)

Block No. M1MM

△	Item	Parts number	Parts name	Q'ty	Description	Area
	1	GJ460400090101	KNOB VOLUME	1		
	2	GJ460400070102	KNOB POWER	1		
	3	GJ460400100101	KNOB OPEN/CLOS	1		
	4	GJ460400110101	KNOB MODE (CD)	1		
	5	GJ460400110101	KNOB MODE (AUX)	1		
	6	GJ460400120101	KNOB MODE (TAPE)	1		
	7	GJ460400120101	KNOB MODE (AM/FM)	1		
	8	GJ460400060101	KNOB CD EJECT	1		
	9	GJ460400010101	CD TRAY COVER (A)	1		
	10	GJ460400020101	CD TRAY COVER (B)	1		
	11	GJ460400030101	CD TRAY COVER (C)	1		
	12	GJ460400160201	CABINET FRONT	1		
	13	GJ460400420101	HEAT SINK COVER	1		
	14	GJ751000030101	DAMPER GEAR	2		
	15	GJ460170340101	DISC STOP BKT	1		
	16	GJ460400040104	INDICATOR MODE (CD)	1		
	17	GJ460400040103	INDICATOR MODE (AUX)	1		
	18	GJ460400040102	INDICATOR MODE (TAPE)	1		
	19	GJ460400040101	INDICATOR MODE (AM/FM)	1		
	20	GJ460400050101	INDICATOR POWER	1		
	21	GJ460400210101	DOOR CASS L	1		
	22	GJ460400220101	DOOR CASS R	1		
	23	GJ460400230101	LENS CASS R	1		
	24	GJ460400240101	LENS CASS L	1		
	25	GJ460400080101	LENS DISPLAY	1		
	26	GJ460170330101	LOGO JVC	1		
	27	GJ460170350101	HOLDER LED	4	LED12,LED13,LED14,LED15	
	28	GJ460400400101	HOUSING LED	2		
	29	GJ460400130101	KNOB CONTROL	1		
	30	GJ460400140101	PANEL ROLLING	1		
	31	GJ460400150101	COVER ROLLING	1		
	32	GJ712000250100	SHAFT	1		
	33	GJ560400010101	BRACKET ROLLING	1		
	34	GJ560400100101	SHIELD CORE	1		
	35	GJ460400260101	GEAR HOLDER (L)	1		
	36	GJ460400270101	GEAR HOLDER (R)	1		
	37	GJ460400320101	PULLEY	1		
	38	GJ460400330101	HOLDER A	1		
	39	GJ460400340101	HOLDER B	1		
	40	GJ460400280101	ARM	2		
	41	GJ460400290101	GEAR A	2		
	42	GJ460400300101	GEAR B	1		
	43	GJ460400310101	GEAR C	1		
	44	GJ460400350101	CIRCLE RACK (L)	1		
	45	GJ460400360101	CIRCLE RACK (R)	1		
	46	GJ460400410101	CASE	1		
	47	GJ460400370101	WORM + PULLEY	1		
	48	GJ460400380101	PANEL HOLDER L	1		

■ Parts list(General assembly)

Block No. M1MM

△	Item	Parts number	Parts name	Q'ty	Description	Area
	49	GJ460400390101	PANEL HOLDER R	1		
	50	GJ771000110100	BELT	1		
	51	560400030101/S/	CASE TOP	1		
	52	GJ560170090201	CASE BOTTOM	1		
	53	GJ560400050102	CASE REAR	1		EE
		GJ560400050101	CASE REAR	1		B,E,EN,EE
	54	GJ780000210100	HEAT SINK	1		
	55	GJ780000220100	HEAT SINK	1		
	56	GJ780000180100	HEAT SINK	1		
	57	GJ560400070101	SHIELD TRANS.	1		
	58	GJ560400020101	BRACKET CHANGER	1		
	59	GJ560400060201	BRACKET IC	1		
	60	GJ560170110101	BRACKET B	1		
	61	GJ560400040101	BRACKET DISPLAY	1		
	62	GJ560170040101	BRACKET PCB	1		
	63	GJ560170200101	BRACKET HEAT SINK	1		
	64	GJ711001600300	S. CASS DOOR L	1		
	65	GJ711001610200	S. CASS DOOR R	1		
	66	GJ422253701	SPRING (LOCK)	2		
	67	GJ460400250101	HOLDER DOOR LOCKER	2		
	68	GJ422250501	HOLDER LOCK	2		
△	69	GJ796000030000	CORD BUSHING	1		
	70	GJ763000320106	FELT SHEET	4		
	71	GJ732000010101	CABLE TIE	1		
	72	GJ560350030101	HIMELON	2		
	73	GJ421038001	RIVET/SNAP	1		
	74	GJ793000060001	SPONGY	2		
	75	-----	CD CHANGER MCHA	1		
	76	GJ342020150913	JACK SPK 4PINS	1	J303	
	77	GJ342030140109	JACK RCA 4PINS	1	J301	
	78	GJ342060010111	JACK	1	J302	
	79	-----	MAIN BOARD	1		
	80	BJ753GN	FL DISPLAY	1	FL701	
	81	MXN-13FB12F	MOTOR	1	MO701	
	82	-----	DISPLAY BOARD	1		
	83	-----	POWER SW. BOARD	1		
	84	-----	FUNCTION BOARD1	1		
	85	-----	FUNCTION BOARD2	1		
	86	-----	EJECT SW. BOARD	1		
	87	-----	VOIUME BOARD	1		
	88	GJ299000570003	VR EVEKD	1	S1001	
	89	-----	NUT M9	1		
	90	-----	WASHER	1		
	91	-----	MULTICONTROL BOARD	1		
	92	-----	H.PHONE JACK BOARD	1		
	93	GJ342010160111	PHONE JACK	1	J1053	
	94	-----	CASSETTE BOARD	1		
	95	-----	CASSETTE MECHANISM	1		

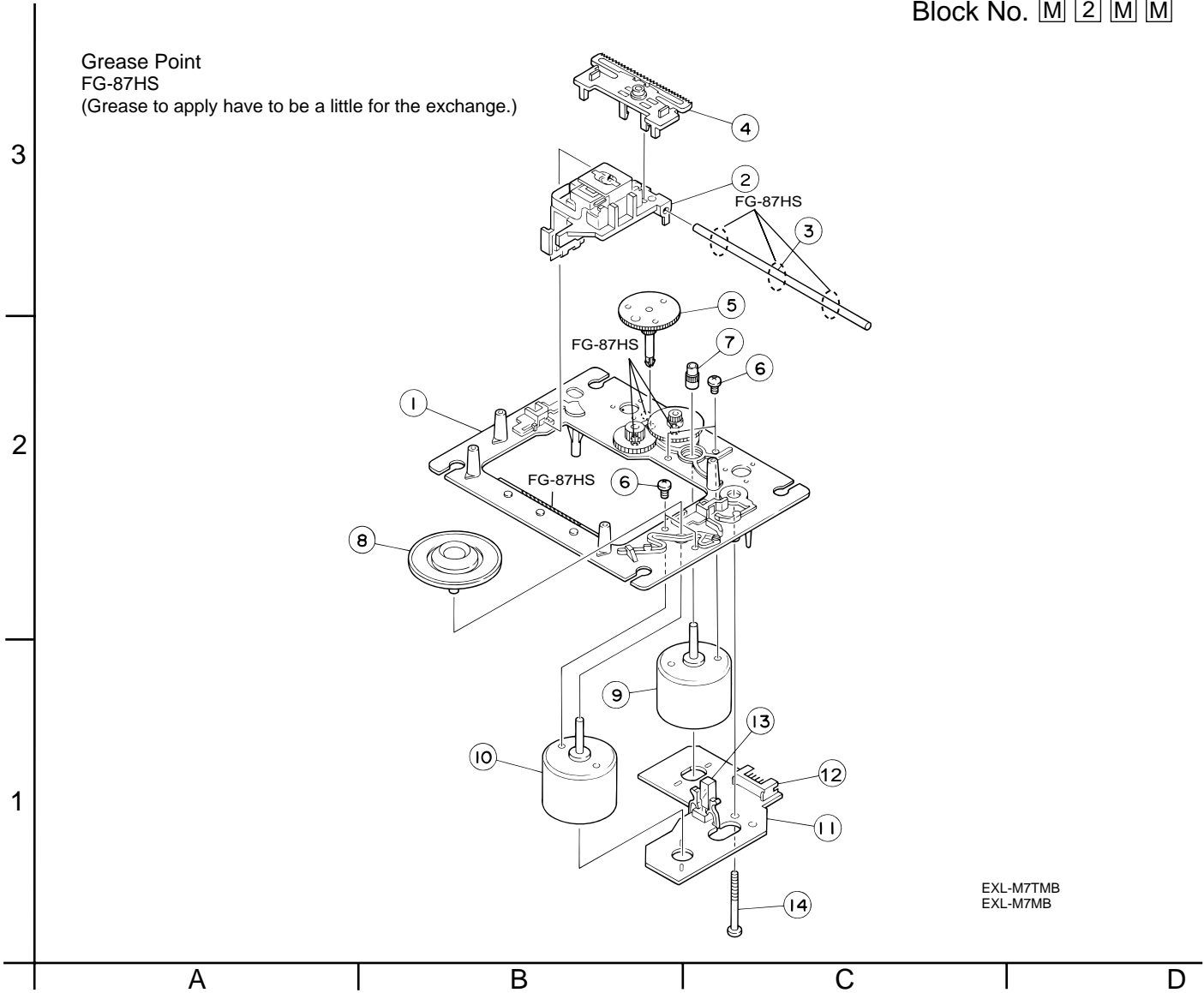
■ Parts list(General assembly)

Block No. M1MM

△	Item	Parts number	Parts name	Q'ty	Description	Area
△	96	GJ336760070013	POWER TRANS.	1	T951	
	97	-----	POWER TRANS.BOARD	1		
△	98	GJ530432052119	AC-POWER CORD	1		B
△		QMPK15-200-JD	AC-POWER CORD	1		E,EN,EE,EV
	99	GJ560170290101	BRACKET OPENING	1		
	100	GJ782010070100	RUBBER SHEET	2		
	101	GJ711001790100	EJECT SPRING L	1		
	102	GJ711001800100	EJECT SPRING R	1		
	103	GJ560400240101	SHEILDING PLATE	1		
	104	GJ370339701	CLAMP	1		
	105	GJ703200600100	SPECIAL SCREW M2X6	2	ARM/ROLLING PANEL	
	106	GJ703200800100	SPECIAL SCREW 2.6PTX8	2	ARM/CIRCLE RACK	
	107	GJ702244260812	SCREW TT2.6X8	2	D. PCB/CASE	
	108	GJ702244260812	SCREW TT2.6X8	4	ROLLING PANEL	
	109	GJ702244260812	SCREW TT2.6X8	2	BKT/R. PANEL	
	110	GJ702244260812	SCREW TT2.6X8	4	CONTROL PCB	
	111	GJ702244260812	SCREW TT2.6X8	4	G. HOLDER/CASE	
	112	GJ702244260812	SCREW TT2.6X8	2	HOLDER A	
	113	GJ702244260812	SCREW TT2.6X8	2	HOLDER B	
	114	GJ702244260812	SCREW TT2.6X8	3	POWER PCB	
	115	GJ702244260812	SCREW TT2.6X8	5	MODE PCB	
	116	GJ702244260812	SCREW TT2.6X8	4	CD EJECT PCB	
	117	GJ702244300612	SCREW TT3X6	1	B.PCB/CHANGER	
	118	GJ702244300612	SCREW TT3X6	4	CASS PCB/DECK	
	119	GJ702244300612	SCREW TT3X6	1	DISC STOP	
	120	GJ702244300612	SCREW TT3X6	2	H.SINK B./BOTTOM	
	121	GJ702244300612	SCREW TT3X6	3	HEAT SINK/REAR	
	122	GJ702244300612	SCREW TT3X6	2	TOP/REAR/BOTTOM	
	123	GJ702244300612	SCREW TT3X6	1	REAR/BOTTOM	
	124	GJ702244300612	SCREW TT3X6	4	TOP/REAR CASE	
	125	GJ702244300612	SCREW TT3X6	1	PCB BKT/REAR	
	126	GJ702244300612	SCREW TT3X6	1	BOTTOM CASE/PCB	
	127	GJ702244300612	SCREW TT3X6	1	CLAMP	
	128	GJ702244300612	SCREW TT3X6	2	EJECT SPRING	
	129	GJ702244300612	SCREW TT3X6	2	F.CABINET/BOTTOM	
	130	GJ702244300812	SCREW TT3X8	2	TR./HEAT SINK	
	131	GJ702244300812	SCREW TT3X8	6	DECK/PANEL	
	132	GJ702244300812	SCREW TT3X8	2	CHANGER/REAR	
	133	GJ702244300812	SCREW TT3X8	2	HEAT SINK COVER	
	134	GJ702244300812	SCREW TT3X8	2	STAY B./CHANGER	
	135	GJ702244300812	SCREW TT3X8	1	H.SINK B./REAR	
	136	GJ702244301012	SCREW TT3X10	5	JACK	
	137	GJ702244301012	SCREW TT3X10	4	CASE/ROLLING	
	138	GJ702244301012	SCREW TT3X10	4	STAY BRACKET	
	139	GJ702244301412	SCREW TT3X14	1	TR./HEAT SINK	
	140	GJ702244301812	SCREW TT3X18	2	POWER IC/H.SINK	
	141	GJ702244300652	SCREW TT3X6	2	TOP/BOTTOM	
	142	GJ702264400612	SCREW TT4X6	6	X'FORMER	
	143	GJ703300800202	SCREW SPTT3X8	1	JACK /PANEL	
	144	GJ703300802002	SCREW TT3X8	2	DECK	

CD mechanism assembly and parts list

Block No. M 2 M M



EXL-M7TMB
EXL-M7MB

Parts list (CD mechanism)

Block No. M2MM

Item	Parts number	Parts name	Q'ty	Description	Area
1	E102731-221SM	MECHA BASE	1		
2	OPTIMA-7B	OPTICAL PICK UP	1		
3	E406777-002SM	CD SHAFT	1		
4	LV31002-001A	CD RACK	1		
5	E307745-441SM	MECHA GEAR	1		
6	QYSDSP2003N	SCREW	4		
7	E406750-442SM	PINION GEAR	1		
8	EPB-001PK	TURN TABLE	1	SINGLE CD	
	EPB309173PKA	TURN TABLE	1	CHANGER CD	
9	E406784-001	FEED MOTOR	1		
10	QAR0130-001	SPPINDLE MOTOR	1		
11	EMW10190-441	P.C.BOARD	1		
12	QGA2001F1-06	6P PLUG ASSY	1		
13	QSW0506-001	LEAF SWITCH	1		
14	E75832-221SS	SPECIAL SCREW	1		

CD changer mechanism assembly and parts list

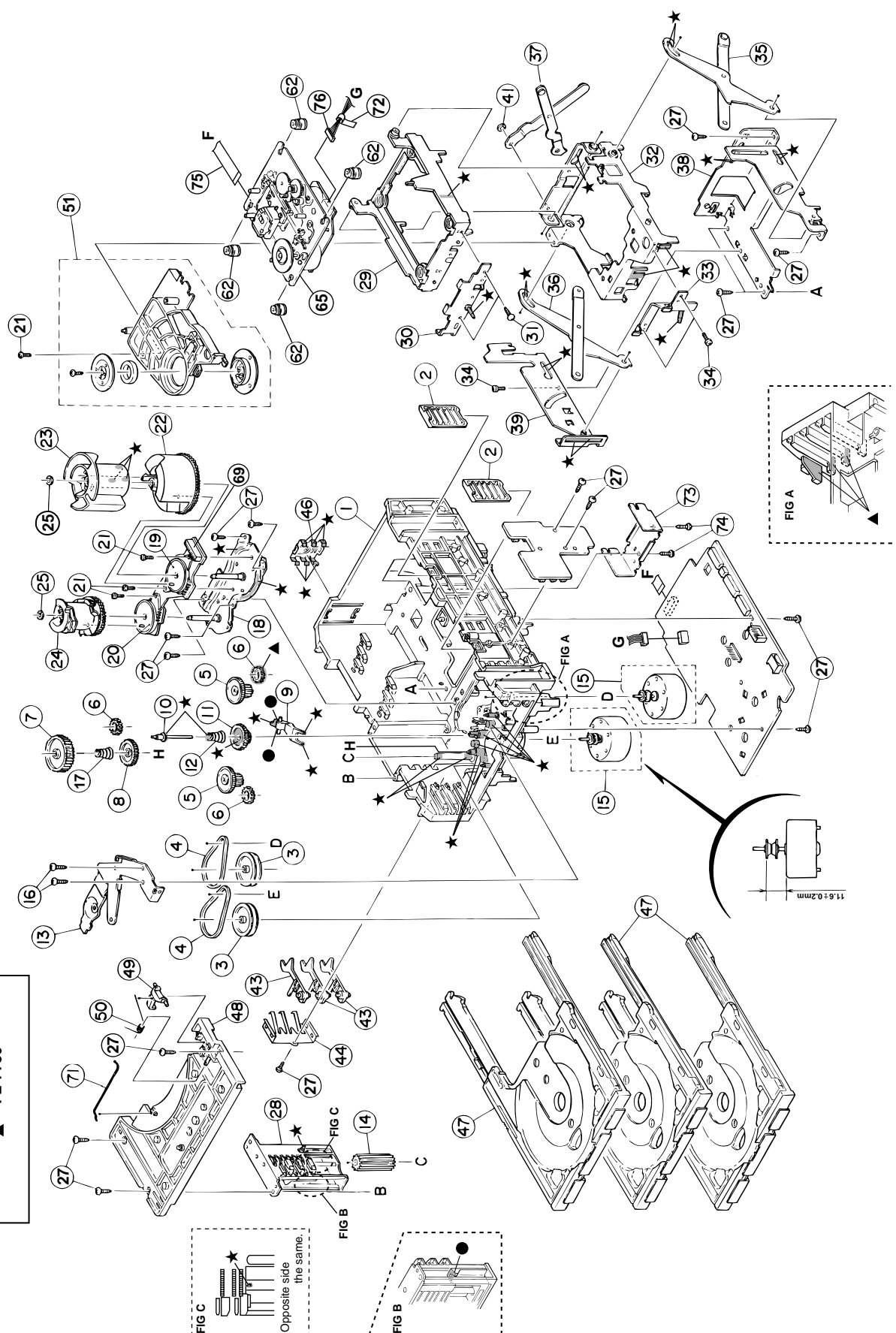
VC3-21M

Block No. M 3 M M

5
4
3
2
1

Grease

- ★ = EM-30L
- = EBS0006-009B
- ▲ = FL-7750



A B C 3-7

Parts list(CD changer mechanism)

Block No. M3MM

△	Item	Parts number	Parts name	Q'ty	Description	Area
	1	VKS1144-003	CHASSIS	1		
	2	VKS3698-003	TRAY GUIDE	2		
	3	VKS5532-003	PULLEY GEAR	2		
	4	VKB3000-164	BELT	2		
	5	VKS5505-003	GEAR B	2		
	6	VKS5506-002	GEAR C	3		
	7	VKS5507-002	CROSS GEAR U	1		
	8	VKS5508-002	CROSS GEAR L	1		
	9	VKS5510-003	SELECT LEVER	1		
	10	VKH5769-001	S.G.SHAFT	1		
	11	VKS5511-002	SELECT GEAR	1		
	12	VKW5155-003	COMP.SPRING	1	FOR SELECT GEAR	
	13	VKM3846-002	GEAR BRACKET	1		
	14	VKS5509-002MM	CYLINDER GEAR	1		
	15	MSN5D257A-SA2	D.C.MOTOR ASS'Y	2		
	16	QYSPSPD2616Z	SCREW	2	FOR MOTOR	
	17	LV40612-001A	COMP.SPRING	1		
	18	VKM3825-00AMM	C.G.BASE ASS'Y	1		
	19	VKZ3172-00ASS	CAM SW. R ASS'Y	1		
	20	VKZ3173-00ASS	CAM SW. L ASS'Y	1		
	21	QYSPST2606Z	SCREW	4		
	22	VKS2263-002MM	CAM R1	1		
	23	VKS2264-002MM	CAM R2	1		
	24	VKS2265-002MM	CAM GEAR L	1		
	25	WDL316050MM	SLIT WASHER	2		
	27	QYSBSF2608Z	T.SCREW	16		
	28	VKS3702-00FMM	DRIVE UNIT	1		
	29	VKS2247-004	MECHA HOLDER A	1		
	30	VKL7767-00B	BRACKET ASS'Y	1		
	31	QYSBSF2606Z	SCREW	2	FOR BRACKET	
	32	VKM3860-00A	M.HOLDER B AS'Y	1		
	33	VKL7802-00C	M.HOLDER C AS'Y	1		
	34	QYSDST2604Z	SCREW	3		
	35	VKL7810-00A	LIFTER ASS'Y R	1		
	36	VKL7811-00A	LIFTER ASS'Y L	1		
	37	VKL7812-00A	LIFTER ASS'Y H	1		
	38	VKL2732-002	LIFTER BASE	1		
	39	VKM3857-001	LIFTER BRACKET	1		
	41	WDL266035-2	SLIT WASHER	1		
	43	VKS5514-002MM	LOCK LEVER	3		
	44	VKY3133-002MM	RETURN SPRING	1		
	46	VKY3134-003MM	CLICK SPRING	1		
	47	VKS2252-00E	TRAY ASS'Y	3		
	48	VKS2250-003	TOP BRACKET	1		
	49	VKS5515-002	S.TRAY STOPPER	1		
	50	VKW5156-004	TORSION SPRING	1		
	51	VKS3703-00G	CLAMPER ASS'Y	1		
	62	LV40761-003A	INSULATOR	4		

■ Parts list(CD changer mechanism)

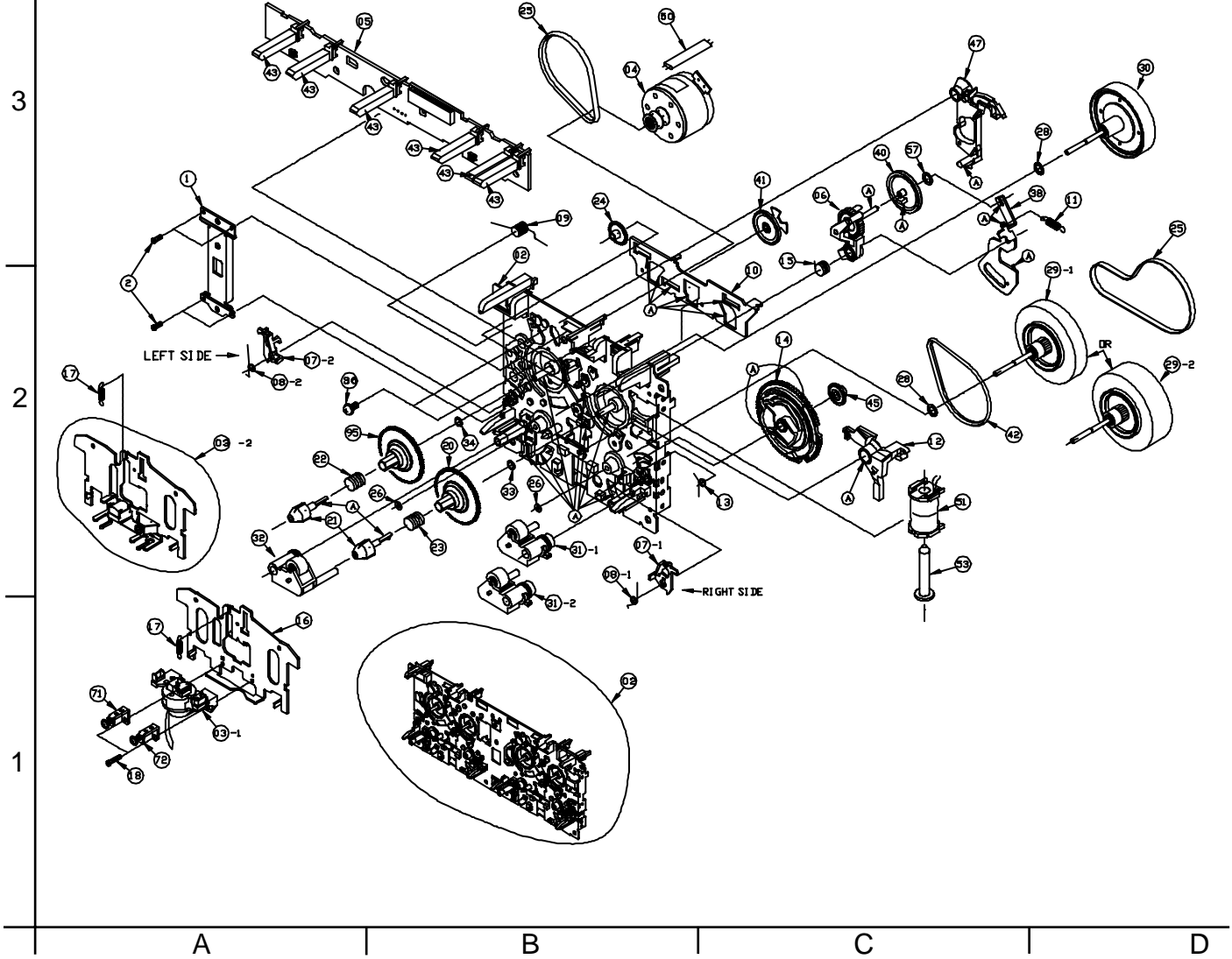
Block No. M3MM

▲	Item	Parts number	Parts name	Q'ty	Description	Area
	65	-----	CD MECHA	1		
	69	QGB2012J1-10	CONNECTOR	1		
	71	VKW5187-001	ROD	1		
	72	VYSA1R2-033	SPACER	1	FOR EWS176-008	
	73	LE30611-001A	C.B HOLDER	1	FOR CD CB	
	74	QYSBSF3008Z	SCREW	2	FOR HOLDER	
	75	QUQ610-1509AJ	CARD WIRE	1	TRAVERSE 15	
	76	EWS176-008	FLAT WIRE	1	TRAVERSE 6	

Cassette mechanism assembly and parts list

Unit number : CMAT5Z214A

Block No. M 4 M M



Parts list (Cassette mechanism)

Block No. M4MM

Item	Parts number	Parts name	Q'ty	Description	Area
03-1	F513-852	PLATE HD BLK	1		
03-2	F513-855	PLATE HD BLK	1		
04	F525-336	MTR MAIN BLK	1		
06	F522-060	CLUTCH ASSY BLK	2		
25	FF19N-21	MAIN BELT	2		
29-1	FR24Y-11	ASSY F/W	1		
29-2	FR25B-11	ASSY F/W	1		
30	FR25A-21	ASSY F/W	1		
31-1	F514-133	ROLLER PINCH BLK R	1		
31-2	F514-135	ROLLER PINCH BLK R	1		
32	F514-134	ROLLER PINCH BLK L	1		
42	FF19S-31	F/R BELT MO	2		
43	UE20P-12	SPLFE L	6		

Electrical parts list

■ Electrical parts list(Main board)

Block No. 01

△	Item	Parts number	Parts name	Remarks	Area	△	Item	Parts number	Parts name	Remarks	Area
	C 1	GJ116415921	C.CAPACITOR	0.1MF F Z 50V			C 111	GJ283118232432	CAPACITOR	100V K 0.082UF	
	C 2	GJ116415921	C.CAPACITOR	0.1MF F Z 50V			C 112	GJ283115622432	CAPACITOR	100V K 0.0056UF	
	C 3	GJ270111070310	E.CAPACITOR	10V M 100UF			C 113	GJ283111242432	CAPACITOR	100V K 0.12UF	
	C 11	GJ116223621	A.CAPACITOR	50V CH J 15PF			C 114	GJ283111042432	CAPACITOR	100V K 0.1UF	
	C 12	GJ116230621	A.CAPACITOR	16V Y M 0.01UF			C 115	GJ270111070310	E.CAPACITOR	10V M 100UF	
	C 13	GJ116230621	A.CAPACITOR	16V Y M 0.01UF			C 117	GJ270144750310	E.CAPACITOR	25V VX M 4.7UF	
	C 14	GJ111067121	C.CAPACITOR	47000PF F Z 50V			C 118	GJ270144750310	E.CAPACITOR	25V VX M 4.7UF	
	C 15	GJ116222921	A.CAPACITOR	50V CH J 5.6PF			C 119	GJ116229021	A.CAPACITOR	50V B K 470PF	
	C 16	GJ111067121	C.CAPACITOR	47000PF F Z 50V			C 120	GJ116228621	A.CAPACITOR	50V B K 220PF	
	C 17	GJ116223421	A.CAPACITOR	50V CH J 12PF			C 121	GJ270194760310	E.CAPACITOR	50V VX M 47UF	
	C 18	GJ116230621	A.CAPACITOR	16V Y M 0.01UF			C 122	GJ283111832432	CAPACITOR	100V K 0.018UF	
	C 19	GJ270111070310	E.CAPACITOR	10V M 100UF			C 123	GJ116219921	A.CAPACITOR	50V SL J 10PF	
	C 20	GJ116230621	A.CAPACITOR	16V Y M 0.01UF			C 124	GJ270191070310	E.CAPACITOR	50V M 100UF	
	C 21	GJ116223421	A.CAPACITOR	50V CH J 12PF			C 125	GJ283111042432	CAPACITOR	100V K 0.1UF	
	C 22	GJ116223821	A.CAPACITOR	50V CH J 18PF			C 126	GJ283111042432	CAPACITOR	100V K 0.1UF	
	C 23	GJ116230621	A.CAPACITOR	16V Y M 0.01UF			C 128	GJ270144750310	E.CAPACITOR	25V VX M 4.7UF	
	C 24	GJ116230621	A.CAPACITOR	16V Y M 0.01UF			C 130	GJ270191050310	E.CAPACITOR	50V VX M 1UF	
	C 25	GJ116228821	A.CAPACITOR	50V B K 330PF			C 201	GJ116228221	A.CAPACITOR	50V B K 100PF	
	C 26	GJ116229021	A.CAPACITOR	50V B K 470PF			C 202	GJ270191050310	E.CAPACITOR	50V VX M 1UF	
	C 27	GJ270144750310	E.CAPACITOR	25V VX M 4.7UF			C 203	GJ270191050310	E.CAPACITOR	50V VX M 1UF	
	C 28	GJ116228621	A.CAPACITOR	50V B K 220PF			C 204	GJ270191050310	E.CAPACITOR	50V VX M 1UF	
	C 29	GJ264266822101	A.CAPACITOR	16V X M 0.0068UF			C 205	GJ270191050310	E.CAPACITOR	50V VX M 1UF	
	C 30	GJ270191050310	E.CAPACITOR	50V VX M 1UF			C 206	GJ270144750310	E.CAPACITOR	25V VX M 4.7UF	
	C 31	GJ116415921	C.CAPACITOR	0.1MF F Z 50V			C 207	GJ116220721	A.CAPACITOR	50V SL J 22PF	
	C 32	GJ116415921	C.CAPACITOR	0.1MF F Z 50V			C 208	GJ270144750310	E.CAPACITOR	25V VX M 4.7UF	
	C 33	GJ116229521	C.CAPACITOR	1500PF X 30% 16V			C 209	GJ270144750310	E.CAPACITOR	25V VX M 4.7UF	
	C 34	GJ270191050310	E.CAPACITOR	50V VX M 1UF			C 210	GJ283118232432	CAPACITOR	100V K 0.082UF	
	C 35	GJ116230621	A.CAPACITOR	16V Y M 0.01UF			C 211	GJ283118232432	CAPACITOR	100V K 0.082UF	
	C 36	GJ270111070310	E.CAPACITOR	10V M 100UF			C 212	GJ283115622432	CAPACITOR	100V K 0.0056UF	
	C 37	GJ270141060310	E.CAPACITOR	25V VX M 10UF			C 213	GJ283111242432	CAPACITOR	100V K 0.12UF	
	C 38	GJ283112232432	CAPACITOR	100V K 0.022UF			C 214	GJ283111042432	CAPACITOR	100V K 0.1UF	
	C 39	GJ283112232432	CAPACITOR	100V K 0.022UF			C 215	GJ270111070310	E.CAPACITOR	10V M 100UF	
	C 40	GJ270192250310	E.CAPACITOR	50V VX M 2.2UF			C 217	GJ270144750310	E.CAPACITOR	25V VX M 4.7UF	
	C 41	GJ270192250310	E.CAPACITOR	50V VX M 2.2UF			C 218	GJ270144750310	E.CAPACITOR	25V VX M 4.7UF	
	C 42	GJ116229421	A.CAPACITOR	50V B K 1000PF			C 219	GJ116229021	A.CAPACITOR	50V B K 470PF	
	C 43	GJ116229421	A.CAPACITOR	50V B K 1000PF			C 220	GJ116228621	A.CAPACITOR	50V B K 220PF	
	C 44	GJ116229421	A.CAPACITOR	50V B K 1000PF			C 221	GJ270194760310	E.CAPACITOR	50V VX M 47UF	
	C 45	GJ116230621	A.CAPACITOR	16V Y M 0.01UF			C 222	GJ283111832432	CAPACITOR	100V K 0.018UF	
	C 46	GJ116221521	A.CAPACITOR	50V SL J 47PF			C 223	GJ116219921	A.CAPACITOR	50V SL J 10PF	
	C 49	GJ116230621	A.CAPACITOR	16V Y M 0.01UF			C 224	GJ270191070310	E.CAPACITOR	50V M 100UF	
	C 51	GJ116223421	A.CAPACITOR	50V CH J 12PF			C 225	GJ283111042432	CAPACITOR	100V K 0.1UF	
	C 52	GJ116223421	A.CAPACITOR	50V CH J 12PF			C 226	GJ283111042432	CAPACITOR	100V K 0.1UF	
	C 53	GJ270124760310	E.CAPACITOR	16V M 47UF			C 228	GJ270144750310	E.CAPACITOR	25V VX M 4.7UF	
	C 54	GJ282031052415	M.CAPACITOR	50V J 1UF			C 230	GJ270191050310	E.CAPACITOR	50V VX M 1UF	
	C 55	GJ283113922432	CAPACITOR	100V K 0.0039UF			C 301	GJ116229421	A.CAPACITOR	50V B K 1000PF	
	C 56	GJ116230621	A.CAPACITOR	16V Y M 0.01UF			C 302	GJ270111070310	E.CAPACITOR	10V M 100UF	
	C 57	GJ116230621	A.CAPACITOR	16V Y M 0.01UF			C 303	GJ270124760310	E.CAPACITOR	16V M 47UF	
	C 58	GJ116229421	A.CAPACITOR	50V B K 1000PF			C 304	GJ283111222432	CAPACITOR	100V K 0.0012UF	
	C 59	GJ270111070310	E.CAPACITOR	10V M 100UF			C 305	GJ283111042432	CAPACITOR	100V K 0.1UF	
	C 60	GJ116229421	A.CAPACITOR	50V B K 1000PF			C 306	GJ270121060310	E.CAPACITOR	16V VX M 10UF	
	C 61	GJ116230621	A.CAPACITOR	16V Y M 0.01UF			C 307	GJ116228221	A.CAPACITOR	50V B K 100PF	
	C 62	GJ116228221	A.CAPACITOR	50V B K 100PF			C 308	GJ116230621	A.CAPACITOR	16V Y M 0.01UF	
	C 63	GJ116228221	A.CAPACITOR	50V B K 100PF			C 309	GJ270124760310	E.CAPACITOR	16V M 47UF	
	C 101	GJ116228221	A.CAPACITOR	50V B K 100PF			C 310	GJ270111070310	E.CAPACITOR	10V M 100UF	
	C 102	GJ270191050310	E.CAPACITOR	50V VX M 1UF			C 311	GJ270124760310	E.CAPACITOR	16V M 47UF	
	C 103	GJ270191050310	E.CAPACITOR	50V VX M 1UF			C 312	GJ270144750310	E.CAPACITOR	25V VX M 4.7UF	
	C 104	GJ270191050310	E.CAPACITOR	50V VX M 1UF			C 313	GJ270124760310	E.CAPACITOR	16V M 47UF	
	C 105	GJ270191050310	E.CAPACITOR	50V VX M 1UF			C 314	GJ270141060310	E.CAPACITOR	25V VX M 10UF	
	C 106	GJ270144750310	E.CAPACITOR	25V VX M 4.7UF			C 315	GJ270191050310	E.CAPACITOR	50V VX M 1UF	
	C 107	GJ116220721	A.CAPACITOR	50V SL J 22PF			C 316	GJ270124760310	E.CAPACITOR	16V M 47UF	
	C 108	GJ270144750310	E.CAPACITOR	25V VX M 4.7UF			C 318	GJ270122260310	E.CAPACITOR	16V M 22UF	
	C 109	GJ270144750310	E.CAPACITOR	25V VX M 4.7UF			C 319	GJ270121080110	E.CAPACITOR	16V M 1000UF	
	C 110	GJ283118232432	CAPACITOR	100V K 0.082UF			C 320	GJ270111070310	E.CAPACITOR	10V M 100UF	

■ Electrical parts list(Main board)

Block No. 01

△	Item	Parts number	Parts name	Remarks	Area	△	Item	Parts number	Parts name	Remarks	Area
	C 321	GJ116230621	A.CAPACITOR	16V Y M 0.01UF			D 301	MTZJ5.1A	ZENER DIODE	GJ871992333	
	C 322	GJ270141060310	E.CAPACITOR	25V VX M 10UF			D 302	1SS133T-77	DIODE	GJ871999133	
	C 323	GJ116230621	A.CAPACITOR	16V Y M 0.01UF			D 303	1SS133T-77	DIODE	GJ871999133	
	C 324	GJ270112270310	E.CAPACITOR	10V M 220UF			D 304	1SS133T-77	DIODE	GJ871999133	
	C 325	GJ116230621	A.CAPACITOR	16V Y M 0.01UF			D 305	1SS133T-77	DIODE	GJ871999133	
	C 326	GJ116229421	A.CAPACITOR	50V B K 1000PF			D 307	1SS133T-77	DIODE	GJ871999133	
	C 327	GJ116230621	A.CAPACITOR	16V Y M 0.01UF			D 308	1SS133T-77	DIODE	GJ871999133	
	C 328	GJ116230621	A.CAPACITOR	16V Y M 0.01UF			D 309	1SS133T-77	DIODE	GJ871999133	
	C 329	GJ270191050310	E.CAPACITOR	50V VX M 1UF			D 311	1SS133T-77	DIODE	GJ871999133	
	C 330	GJ270144750310	E.CAPACITOR	25V VX M 4.7UF			D 312	1N4003S-P	DIODE	GJ310020300203	
	C 331	GJ270191050310	E.CAPACITOR	50V VX M 1UF			D 314	1SS133T-77	DIODE	GJ871999133	
	C 38A	GJ283112222432	CAPACITOR	100V K 0.0022UF			D 315	1SS133T-77	DIODE	GJ871999133	
	C 381	GJ116259621	A.CAPACITOR	25V F Z 0.022UF			D 316	1SS133T-77	DIODE	GJ871999133	
	C 39A	GJ283112222432	CAPACITOR	100V K 0.0022UF			D 317	1SS133T-77	DIODE	GJ871999133	
	C 901	GJ283116832432	CAPACITOR	100V K 0.068UF			D 318	1SS133T-77	DIODE	GJ871999133	
	C 902	GJ283116832432	CAPACITOR	100V K 0.068UF		△	D 901	TS6B02G	DIODE	GJ310020320223	
	C 903	GJ283116832432	CAPACITOR	100V K 0.068UF		△	D 902	1N4003S-P	DIODE	CJ310020300203	
	C 904	GJ283116832432	CAPACITOR	100V K 0.068UF		△	D 903	1N4003S-P	DIODE	GJ310020300203	
△	C 905	GJ270193380610	E.CAPACITOR	50V SM M 3300UF		△	D 904	1N4003S-P	DIODE	GJ310020300203	
△	C 906	GJ270193380610	E.CAPACITOR	50V SM M 3300UF		△	D 905	1N4003S-P	DIODE	GJ310020300203	
	C 907	GJ116415921	C.CAPACITOR	0.1MF F Z 50V			D 906	1N4003S-P	DIODE	GJ310020300203	
	C 908	GJ116415921	C.CAPACITOR	0.1MF F Z 50V			D 907	MTZJ33C-T77	ZENER DIODE	GJ871998334	
	C 909	GJ116415921	C.CAPACITOR	0.1MF F Z 50V		△	D 908	MTZJ6.2A-T77	ZENER DIODE	GJ871992341	
	C 910	GJ116415921	C.CAPACITOR	0.1MF F Z 50V			D 909	1SS133T-77	DIODE	GJ871999133	
	C 911	GJ270144780110	E.CAPACITOR	25V M 4700UF			D 910	MTZJ6.2A-T77	ZENER DIODE	GJ871992341	
	C 912	GJ270304760314	E.CAPACITOR	63V VX M 47UF			D 911	MTZJ5.6C	ZENER DIODE	GJ871992339	
	C 913	GJ270192260310	E.CAPACITOR	50V VX M 22UF			D 912	MTZJ13C	ZENER DIODE	GJ871992385	
	C 914	GJ116230621	A.CAPACITOR	16V Y M 0.01UF			D 913	MTZJ12C	ZENER DIODE	GJ871992381	
△	C 915	GJ270192260310	E.CAPACITOR	50V VX M 22UF			D 914	1SS133T-77	DIODE	GJ871999133	
	C 916	GJ270141060310	E.CAPACITOR	25V VX M 10UF			D 915	MTZJ6.8B	ZENER DIODE	GJ871992346	
	C 917	GJ270192250310	E.CAPACITOR	50V VX M 2.2UF			D 916	MTZJ10A	ZENER DIODE	GJ871992370	
	C 918	GJ116230621	A.CAPACITOR	16V Y M 0.01UF			FW303	GJ353190150110	CABLE	19PIN	
	C 919	GJ270111070310	E.CAPACITOR	10V M 100UF			IC 1	TA2104BN	IC	GJ313020351101	
	C 920	GJ270141060310	E.CAPACITOR	25V VX M 10UF			IC 2	LC72136N	IC	GJ313070221000	
	C 921	GJ270121070310	E.CAPACITOR	16V VX M 100UF			IC301	TDA7442D	IC	GJ313070511342	
	C 922	GJ270141060310	E.CAPACITOR	25V VX M 10UF			IC302	BA15218DIP	IC	GJ313010023103	
	C 923	GJ270121070310	E.CAPACITOR	16V VX M 100UF			IC303	BA15218DIP	IC	GJ313010023103	
	C 924	GJ270124760310	E.CAPACITOR	16V M 47UF			IC304	STK402-120	IC	GJ313040561406	
	C 925	GJ270112260310	E.CAPACITOR	10V M 22UF			J 301	GJ342030140109	JACK RCA	4PINS	
	CF 3	CDA10.7MG80A	DESCRIMINATOR	GJ178117111			J 302	GJ342060010111	JACK		
	CN301	GJ340022090108	CONNECTOR	9PIN			J 303	GJ342020150913	JACK SPK	4PINS	
	CN302	GJ340072040102	CONNECTOR	4PINS			L 1	GJ141050231	INDUCTOR	2.7UH 5%	
	CN303	GJ340022190108	CONNECTOR	19PINS			L 2	GJ320050210105	COIL		
	CN304	GJ340022150108	CONNECTOR	15PIN			L 3	GJ320050200205	COIL		
	CN305	GJ340022130108	CONNECTOR	13PIN			L 4	GJ320010170105	COIL		
	CN91A	GJ340072040102	CONNECTOR	4PINS			L 5	GJ320010160105	COIL		
	CN91B	GJ340072050102	CONNECTOR	5PINS			L 6	GJ141051131	INDUCTOR	15UH 5%	
	C8000	GJ283108222415	CAPACITOR FILM	50V K 0.0082UF			L 7	GJ320070060103	COIL		
	C8001	GJ283108222415	CAPACITOR FILM	50V K 0.0082UF			L 8	GJ141052131	MICRO INDUCTOR	100UH 5%	
	C8002	GJ116259621	A.CAPACITOR	25V F Z 0.022UF			L 51	GJ141033631	INDUCTOR	220UH 10%	
	C8003	GJ116259621	A.CAPACITOR	25V F Z 0.022UF			L 101	GJ320080170105	COIL SPRING		
	C8004	GJ116259621	A.CAPACITOR	25V F Z 0.022UF			L 201	GJ320080170105	COIL SPRING		
	D 1	1SS133T-77	DIODE	GJ871999133			L 302	GJ141039721	F.BEAD INDUCTOR	1.1UH	
	D 2	1SS133T-77	DIODE	GJ871999133			L 303	GJ241131001301	F.BEAD INDUCTOR	10UH	
	D 3	1SS133T-77	DIODE	GJ871999133			L 304	GJ141039721	F.BEAD INDUCTOR	1.1UH	
	D 4	1SS133T-77	DIODE	GJ871999133			Q 1	2SC1923(O)	TRANSISTOR	GJ312010162201	
	D 5	1SS133T-77	DIODE	GJ871999133			Q 2	KTC3199/GL/-T	TRANSISTOR	GJ312030111210	
	D 6	1SS133T-77	DIODE	GJ871999133			Q 3	KTC3199/GL/-T	TRANSISTOR	GJ312030111210	
	D 7	1SS133T-77	DIODE	GJ871999133			Q 4	DTA114YSTP	TRANSISTOR	GJ872990281	
	D 8	1SS133T-77	DIODE	GJ871999133			Q 5	DTC114YSTP	TRANSISTOR	GJ872990437	
	D 9	KV1560NT	DIODE	GJ871997510			Q 6	DTC114YSTP	TRANSISTOR	GJ872990437	
	D 11	1SS133T-77	DIODE	GJ871999133			Q 7	DTA114YSTP	TRANSISTOR	GJ872990281	
	D 12	1SS133T-77	DIODE	GJ871999133			Q 8	DTC114YSTP	TRANSISTOR	GJ872990437	

■ Electrical parts list(Main board)

Block No. 01

△	Item	Parts number	Parts name	Remarks	Area	△	Item	Parts number	Parts name	Remarks	Area
	Q 51	DTA114YSTP	TRANSISTOR	GJ872990281			R 55	GJ250084722103	CARBON RESISTOR	1/6W J 4.7K	
	Q 102	KTC3199/GL-T	TRANSISTOR	GJ312030111210			R 56	GJ250084722103	CARBON RESISTOR	1/6W J 4.7K	
	Q 103	2SD2144S/VW-T	TRANSISTOR	GJ872992241			R 57	GJ250083312103	CARBON RESISTOR	1/6W J 330	
	Q 104	2SA1175TP-F	TRANSISTOT	GJ872910154			R 58	GJ250081032103	CARBON RESISTOR	1/6W J 10K	
	Q 105	2SD2144S/VW-T	TRANSISTOR	GJ872992241			R 59	GJ2500810222103	CARBON RESISTOR	1/6W J 1K	
	Q 202	KTC3199/GL-T	TRANSISTOR	GJ312030111210			R 60	GJ2500810222103	CARBON RESISTOR	1/6W J 1K	
	Q 203	2SD2144S/VW-T	TRANSISTOR	GJ872992241			R 61	GJ2500810222103	CARBON RESISTOR	1/6W J 1K	
	Q 204	2SA1175TP-F	TRANSISTOT	GJ872910154			R 62	GJ2500810222103	CARBON RESISTOR	1/6W J 1K	
	Q 205	2SD2144S/VW-T	TRANSISTOR	GJ872992241			R 63	GJ250084732103	CARBON RESISTOR	1/6W J 47K	
	Q 301	KTC3199/GL-T	TRANSISTOR	GJ312030111210			R 64	GJ250084732103	CARBON RESISTOR	1/6W J 47K	
	Q 302	KTC3199/GL-T	TRANSISTOR	GJ312030111210			R 65	GJ250084732103	CARBON RESISTOR	1/6W J 47K	
	Q 303	2SA1175TP-F	TRANSISTOT	GJ872910154			R 66	GJ250082222103	CARBON RESISTOR	1/6W J 2.2K	
	Q 304	DTC114ESTP	TRANSISTOR	GJ872902967			R 67	GJ250081032103	CARBON RESISTOR	1/6W J 10K	
	Q 305	DTA114ES	TRANSISTOR	GJ872902921			R 68	GJ2500810222103	CARBON RESISTOR	1/6W J 1K	
	Q 306	DTA114ES	TRANSISTOR	GJ872902921			R 69	GJ2500810222103	CARBON RESISTOR	1/6W J 1K	
	Q 307	KTC3199/GL-T	TRANSISTOR	GJ312030111210			R 70	GJ2500810222103	CARBON RESISTOR	1/6W J 1K	
	Q 308	KTC3199/GL-T	TRANSISTOR	GJ312030111210			R 71	GJ2500810222103	CARBON RESISTOR	1/6W J 1K	
	Q 309	KTC3199/GL-T	TRANSISTOR	GJ312030111210			R 72	GJ250082202103	CARBON RESISTOR	1/6W J 22	
	Q 310	2SC945/QD-T	TRANSISTOR	GJ872914245			R 101	GJ250083932103	CARBON RESISTOR	1/6W J 39K	
	Q 311	DTC114ESTP	TRANSISTOR	GJ872902967			R 102	GJ250086822103	CARBON RESISTOR	1/6W J 6.8K	
	Q 312	KTC3199/GL-T	TRANSISTOR	GJ312030111210			R 106	GJ250084732103	CARBON RESISTOR	1/6W J 47K	
	Q 313	KTC3199/GL-T	TRANSISTOR	GJ312030111210			R 107	GJ250082732103	CARBON RESISTOR	1/6W J 27K	
	Q 314	KTC3199/GL-T	TRANSISTOR	GJ312030111210			R 108	GJ250081042103	CARBON RESISTOR	1/6W J 100K	
	Q 901	2SA943(R)	TRANSISTOR	GJ872999343			R 109	GJ250085622103	CARBON RESISTOR	1/6W J 5.6K	
	Q 902	DTC114YSTP	TRANSISTOR	GJ872990437			R 110	GJ250082722103	CARBON RESISTOR	1/6W J 2.7K	
	Q 903	DTC114YSTP	TRANSISTOR	GJ872990437			R 111	GJ250081222103	CARBON RESISTOR	1/6W J 1.2K	
	Q 904	2SB1375	TRANSISTOR	GJ872920960			R 112	GJ250086822103	CARBON RESISTOR	1/6W J 6.8K	
	Q 905	KTC3199/GL-T	TRANSISTOR	GJ312030111210			R 113	GJ250081242103	CARBON RESISTOR	1/6W J 120K	
	Q 906	KTC3199/GL-T	TRANSISTOR	GJ312030111210			R 114	GJ250082222103	CARBON RESISTOR	1/6W J 2.2K	
	Q 907	2SB1375	TRANSISTOR	GJ872920960			R 115	GJ250082222103	CARBON RESISTOR	1/6W J 2.2K	
	Q 908	2SA1175TP-F	TRANSISTOT	GJ872910154			R 116	GJ250081032103	CARBON RESISTOR	1/6W J 10K	
	Q 909	DTA114TS	TRANSISTOR	GJ872990435			R 117	GJ250082222103	CARBON RESISTOR	1/6W J 2.2K	
	Q 910	DTC114TSTP	TRANSISTOR	GJ872990440			R 118	GJ250084722103	CARBON RESISTOR	1/6W J 4.7K	
	Q 911	KTC3199/GL-T	TRANSISTOR	GJ312030111210			R 119	GJ250081032103	CARBON RESISTOR	1/6W J 10K	
	Q 912	DTC114YSTP	TRANSISTOR	GJ872990437			R 120	GJ250085632103	CARBON RESISTOR	1/6W J 56K	
	Q 913	2SA1175TP-F	TRANSISTOT	GJ872910154			R 121	GJ250086812103	CARBON RESISTOR	1/6W J 680	
	Q 914	KTC3199/GL-T	TRANSISTOR	GJ312030111210			R 122	GJ250081042103	CARBON RESISTOR	1/6W J 100K	
	Q 915	2SB1375	TRANSISTOR	GJ872920960			R 123	GJ250088232103	CARBON RESISTOR	1/6W J 82K	
	Q 916	KTC3199/GL-T	TRANSISTOR	GJ312030111210			R 124	GJ250081522103	CARBON RESISTOR	1/6W J 1.5K	
	R 1	GJ250081022103	CARBON RESISTOR	1/6W J 1K		△	R 125	GJ252561081708	RESISTOR	2W K 0.1	
	R 2	GJ250082202103	CARBON RESISTOR	1/6W J 22		△	R 126	GJ252561081708	RESISTOR	2W K 0.1	
	R 11	GJ250083312103	CARBON RESISTOR	1/6W J 330		△	R 127	GJ255051512601	FUSE RESISTOR	150 OHM 1/4W 5%	
	R 12	GJ250084742103	CARBON RESISTOR	1/6W J 470K			R 128	GJ250082202103	CARBON RESISTOR	1/6W J 22	
	R 13	GJ250085602103	CARBON RESISTOR	1/6W J 56			R 129	GJ250082202103	CARBON RESISTOR	1/6W J 22	
	R 14	GJ250083312103	CARBON RESISTOR	1/6W J 330			R 130	GJ250082202103	CARBON RESISTOR	1/6W J 22	
	R 15	GJ250081022103	CARBON RESISTOR	1/6W J 1K			R 131	GJ250081032103	CARBON RESISTOR	1/6W J 10K	
	R 16	GJ250081042103	CARBON RESISTOR	1/6W J 100K			R 132	GJ255053912601	FUSE RESISTOR	390 OHM 1/4W 5%	
	R 17	GJ250081522103	CARBON RESISTOR	1/6W J 1.5K			R 133	GJ255053912601	FUSE RESISTOR	390 OHM 1/4W 5%	
	R 18	GJ250081012103	CARBON RESISTOR	1/6W J 100			R 134	GJ250081032103	CARBON RESISTOR	1/6W J 10K	
	R 19	GJ250084722103	CARBON RESISTOR	1/6W J 4.7K			R 136	GJ250081022103	CARBON RESISTOR	1/6W J 1K	
	R 20	GJ250082222103	CARBON RESISTOR	1/6W J 2.2K			R 137	GJ250081042103	CARBON RESISTOR	1/6W J 100K	
	R 21	GJ250083322103	CARBON RESISTOR	1/6W J 3.3K			R 138	GJ250081022103	CARBON RESISTOR	1/6W J 1K	
	R 22	GJ250085622103	CARBON RESISTOR	1/6W J 5.6K			R 139	GJ250081032103	CARBON RESISTOR	1/6W J 10K	
	R 23	GJ250085622103	CARBON RESISTOR	1/6W J 5.6K			R 140	GJ250081032103	CARBON RESISTOR	1/6W J 10K	
	R 24	GJ250082222103	CARBON RESISTOR	1/6W J 2.2K			R 141	GJ250081022103	CARBON RESISTOR	1/6W J 1K	
	R 25	GJ250082222103	CARBON RESISTOR	1/6W J 2.2K			R 142	GJ250081032103	CARBON RESISTOR	1/6W J 10K	
	R 26	GJ250081032103	CARBON RESISTOR	1/6W J 10K			R 150	GJ250082202103	CARBON RESISTOR	1/6W J 22	
	R 29	GJ250081032103	CARBON RESISTOR	1/6W J 10K			R 151	GJ250082232103	CARBON RESISTOR	1/6W J 22K	
	R 30	GJ250081032103	CARBON RESISTOR	1/6W J 10K			R 181	GJ250081032103	CARBON RESISTOR	1/6W J 10K	
	R 51	GJ250081022103	CARBON RESISTOR	1/6W J 1K			R 201	GJ250083932103	CARBON RESISTOR	1/6W J 39K	
	R 52	GJ250083322103	CARBON RESISTOR	1/6W J 3.3K			R 202	GJ250086822103	CARBON RESISTOR	1/6W J 6.8K	
	R 53	GJ250084722103	CARBON RESISTOR	1/6W J 4.7K			R 206	GJ250084732103	CARBON RESISTOR	1/6W J 47K	
	R 54	GJ250081822103	CARBON RESISTOR	1/6W J 1.8K			R 207	GJ250082732103	CARBON RESISTOR	1/6W J 27K	

■ Electrical parts list (Main board)

Block No. 01

△	Item	Parts number	Parts name	Remarks	Area
	R 208	GJ250081042103	CARBON RESISTOR	1/6W J 100K	
	R 209	GJ250085622103	CARBON RESISTOR	1/6W J 5.6K	
	R 210	GJ250082722103	CARBON RESISTOR	1/6W J 2.7K	
	R 211	GJ250081222103	CARBON RESISTOR	1/6W J 1.2K	
	R 212	GJ250086822103	CARBON RESISTOR	1/6W J 6.8K	
	R 213	GJ250081242103	CARBON RESISTOR	1/6W J 120K	
	R 214	GJ250082222103	CARBON RESISTOR	1/6W J 2.2K	
	R 215	GJ250082222103	CARBON RESISTOR	1/6W J 2.2K	
	R 216	GJ250081032103	CARBON RESISTOR	1/6W J 10K	
	R 217	GJ250082222103	CARBON RESISTOR	1/6W J 2.2K	
	R 218	GJ250084722103	CARBON RESISTOR	1/6W J 4.7K	
	R 219	GJ250081032103	CARBON RESISTOR	1/6W J 10K	
	R 220	GJ250085632103	CARBON RESISTOR	1/6W J 56K	
	R 221	GJ250086812103	CARBON RESISTOR	1/6W J 680	
	R 222	GJ250081042103	CARBON RESISTOR	1/6W J 100K	
	R 223	GJ25008232103	CARBON RESISTOR	1/6W J 82K	
	R 224	GJ250081522103	CARBON RESISTOR	1/6W J 1.5K	
	R 225	GJ252561081708	RESISTOR	2W K 0.1	
	R 226	GJ252561081708	RESISTOR	2W K 0.1	
△	R 227	GJ255051512601	FUSE RESISTOR	150 OHM 1/4W 5%	
	R 228	GJ250082202103	CARBON RESISTOR	1/6W J 22	
	R 229	GJ250082202103	CARBON RESISTOR	1/6W J 22	
	R 230	GJ250082202103	CARBON RESISTOR	1/6W J 22	
	R 231	GJ250081032103	CARBON RESISTOR	1/6W J 10K	
	R 232	GJ255053912601	FUSE RESISTOR	390 OHM 1/4W 5%	
	R 233	GJ255053912601	FUSE RESISTOR	390 OHM 1/4W 5%	
	R 234	GJ250081032103	CARBON RESISTOR	1/6W J 10K	
	R 236	GJ250081022103	CARBON RESISTOR	1/6W J 1K	
	R 237	GJ250081042103	CARBON RESISTOR	1/6W J 100K	
	R 238	GJ250081022103	CARBON RESISTOR	1/6W J 1K	
	R 239	GJ250081032103	CARBON RESISTOR	1/6W J 10K	
	R 240	GJ250081032103	CARBON RESISTOR	1/6W J 10K	
	R 241	GJ250081022103	CARBON RESISTOR	1/6W J 1K	
	R 242	GJ250081032103	CARBON RESISTOR	1/6W J 10K	
	R 250	GJ250082202103	CARBON RESISTOR	1/6W J 22	
	R 251	GJ250082232103	CARBON RESISTOR	1/6W J 22K	
	R 281	GJ250081032103	CARBON RESISTOR	1/6W J 10K	
	R 301	GJ250082212103	CARBON RESISTOR	1/6W J 220	
	R 302	GJ250081022103	CARBON RESISTOR	1/6W J 1K	
	R 303	GJ250081022103	CARBON RESISTOR	1/6W J 1K	
	R 304	GJ250084702103	CARBON RESISTOR	1/6W J 47	
	R 305	GJ250082212103	CARBON RESISTOR	1/6W J 220	
	R 306	GJ250081032103	CARBON RESISTOR	1/6W J 10K	
	R 307	GJ250082232103	CARBON RESISTOR	1/6W J 22K	
	R 308	GJ250084712103	CARBON RESISTOR	1/6W J 470	
	R 309	GJ250081042103	CARBON RESISTOR	1/6W J 100K	
	R 310	GJ250082232103	CARBON RESISTOR	1/6W J 22K	
	R 311	GJ250084732103	CARBON RESISTOR	1/6W J 47K	
	R 312	GJ250081032103	CARBON RESISTOR	1/6W J 10K	
	R 313	GJ250084712103	CARBON RESISTOR	1/6W J 470	
	R 314	GJ250084742103	CARBON RESISTOR	1/6W J 470K	
	R 315	GJ250082222103	CARBON RESISTOR	1/6W J 2.2K	
	R 316	GJ250081042103	CARBON RESISTOR	1/6W J 100K	
	R 321	GJ250081002103	CARBON RESISTOR	1/6W J 10	
	R 322	GJ250081502103	CARBON RESISTOR	1/6W J 15	
	R 323	GJ250082222103	CARBON RESISTOR	1/6W J 2.2K	
	R 324	GJ250081032103	CARBON RESISTOR	1/6W J 10K	
	R 325	GJ250086822103	CARBON RESISTOR	1/6W J 6.8K	
	R 326	GJ250083322103	CARBON RESISTOR	1/6W J 3.3K	
	R 327	GJ250081512103	CARBON RESISTOR	1/6W J 150	
	R 328	GJ250082212103	CARBON RESISTOR	1/6W J 220	
	R 329	GJ250082212103	CARBON RESISTOR	1/6W J 220	
	R 330	GJ250082212103	CARBON RESISTOR	1/6W J 220	

△	Item	Parts number	Parts name	Remarks	Area
	R 331	GJ250082212103	CARBON RESISTOR	1/6W J 220	
	R 332	GJ250082212103	CARBON RESISTOR	1/6W J 220	
	R 333	GJ250081042103	CARBON RESISTOR	1/6W J 100K	
	R 334	GJ250081022103	CARBON RESISTOR	1/6W J 1K	
	R 335	GJ250081032103	CARBON RESISTOR	1/6W J 10K	
	R 336	GJ250081022103	CARBON RESISTOR	1/6W J 1K	
	R 337	GJ250081042103	CARBON RESISTOR	1/6W J 100K	
	R 338	GJ250081812103	CARBON RESISTOR	1/6W J 180	
	R 339	GJ250081532103	CARBON RESISTOR	1/6W J 15K	
	R 340	GJ250083302103	CARBON RESISTOR	1/6W J 33	
	R 341	GJ250082212103	CARBON RESISTOR	1/6W J 220	
	R 342	GJ250082212103	CARBON RESISTOR	1/6W J 820	
	R 343	GJ250081032103	CARBON RESISTOR	1/6W J 10K	
	R 344	GJ250081042103	CARBON RESISTOR	1/6W J 100K	
△	R 901	GJ250084722103	CARBON RESISTOR	1/6W J 4.7K	
△	R 902	GJ255051012601	FUSE RESISTOR	100 OHM 1/4W 5%	
	R 903	GJ250082222103	CARBON RESISTOR	1/6W J 2.2K	
	R 904	GJ250081012103	CARBON RESISTOR	1/6W J 100	
	R 905	GJ250081012103	CARBON RESISTOR	1/6W J 100	
	R 906	GJ250081032103	CARBON RESISTOR	1/6W J 10K	
	R 907	GJ250081022103	CARBON RESISTOR	1/6W J 1K	
△	R 908	GJ255052292601	FUSE RESISTOR	2.2 OHM 1/4W 5%	
	R 909	GJ250084732103	CARBON RESISTOR	1/6W J 47K	
	R 910	GJ250082232103	CARBON RESISTOR	1/6W J 22K	
	R 911	GJ250086822103	CARBON RESISTOR	1/6W J 6.8K	
	R 912	GJ250084712103	CARBON RESISTOR	1/6W J 470	
	R 913	GJ250084712103	CARBON RESISTOR	1/6W J 470	
	R 914	GJ250081092103	CARBON RESISTOR	1/6W J 1	
	R 915	GJ250081092103	CARBON RESISTOR	1/6W J 1	
	R 916	GJ250081092103	CARBON RESISTOR	1/6W J 1	
	R 917	GJ250081022103	CARBON RESISTOR	1/6W J 1K	
	R 918	GJ250086822103	CARBON RESISTOR	1/6W J 6.8K	
	R 928	GJ250083302103	CARBON RESISTOR	1/6W J 33	
	R 929	GJ250082222103	CARBON RESISTOR	1/6W J 2.2K	
	R 930	GJ250081042103	CARBON RESISTOR	1/6W J 100K	
	R 931	GJ250081022103	CARBON RESISTOR	1/6W J 1K	
	RY301	GJ151592111	RELAY		
	T 2	GJ123388511	IFT		
	TU 1	GJ321000570106	FM FRONT END	(TFFJ4E600A)	B,E,EN
	TU 1	GJ321000580106	FM FRONT END	(TFFJ4Z547A)	EE,EV
	X 1	VCX5044-001	X'TAL	GJ361000130003	

■ Electrical parts list (Display board)

Block No. 02

△	Item	Parts number	Parts name	Remarks	Area	△	Item	Parts number	Parts name	Remarks	Area
	C 701	GJ116415921	C.CAPACITOR	0.1MF F Z 50V			Q 715	DTC114YSTP	TRANSISTOR	GJ872990437	
	C 702	GJ112689891	E.CAPACITOR	220MF 20% 10V			R 701	GJ250082242103	CARBON RESISTOR	1/6W J 220K	
	C 703	GJ112691651	E.CAPACITOR	1000MF 20% 6.3V			R 702	GJ250082242103	CARBON RESISTOR	1/6W J 220K	
	C 705	GJ116229421	A.CAPACITOR	50V B K 1000PF			R 703	GJ250082242103	CARBON RESISTOR	1/6W J 220K	
	C 706	GJ116229421	A.CAPACITOR	50V B K 1000PF			R 704	GJ250081032103	CARBON RESISTOR	1/6W J 10K	
	C 707	GJ116221321	A.CAPACITOR	50V SL J 39PF			R 705	GJ250081032103	CARBON RESISTOR	1/6W J 10K	
	C 708	GJ116221121	A.CAPACITOR	50V SL J 33PF			R 706	GJ250081032103	CARBON RESISTOR	1/6W J 10K	
	C 709	GJ116221121	A.CAPACITOR	50V SL J 33PF			R 707	GJ250082222103	CARBON RESISTOR	1/6W J 2.2K	
	C 710	GJ116221121	A.CAPACITOR	50V SL J 33PF			R 708	GJ250082222103	CARBON RESISTOR	1/6W J 2.2K	
	C 711	GJ116220721	A.CAPACITOR	50V SL J 22PF			R 709	GJ250082222103	CARBON RESISTOR	1/6W J 2.2K	
	C 712	GJ116220721	A.CAPACITOR	50V SL J 22PF			R 710	GJ250082222103	CARBON RESISTOR	1/6W J 2.2K	
	C 713	GJ116230621	A.CAPACITOR	16V Y M 0.01UF			R 711	GJ250082222103	CARBON RESISTOR	1/6W J 2.2K	
	C 714	GJ116230621	A.CAPACITOR	16V Y M 0.01UF			R 712	GJ250081022103	CARBON RESISTOR	1/6W J 1K	
	C 715	GJ116229421	A.CAPACITOR	50V B K 1000PF			R 713	GJ250084732103	CARBON RESISTOR	1/6W J 47K	
	C 716	GJ270114760310	E.CAPACITOR	10V M 47UF			R 714	GJ250081022103	CARBON RESISTOR	1/6W J 1K	
	C 717	GJ116415921	C.CAPACITOR	0.1MF F Z 50V			R 715	GJ250084732103	CARBON RESISTOR	1/6W J 47K	
	C 718	GJ270192260310	E.CAPACITOR	50V M 22UF			R 716	GJ250082222103	CARBON RESISTOR	1/6W J 2.2K	
	C 719	GJ270192260310	E.CAPACITOR	50V M 22UF			R 717	GJ250081022103	CARBON RESISTOR	1/6W J 1K	
	C 720	GJ270141060310	E.CAPACITOR	25V VX M 10UF			R 718	GJ250084732103	CARBON RESISTOR	1/6W J 47K	
	C 721	GJ270111070310	E.CAPACITOR	10V M 100UF			R 719	GJ250082222103	CARBON RESISTOR	1/6W J 2.2K	
	C 722	GJ270112270310	E.CAPACITOR	10V VX M 220UF			R 720	GJ250081022103	CARBON RESISTOR	1/6W J 1K	
	C 723	GJ270191050310	E.CAPACITOR	50V M 1UF			R 721	GJ250084732103	CARBON RESISTOR	1/6W J 47K	
	CN701	GJ340021130108	CONNECTOR	13PIN			R 722	GJ250081022103	CARBON RESISTOR	1/6W J 1K	
	CN702	GJ340021150308	CONNECTOR	15PIN			R 723	GJ250084732103	CARBON RESISTOR	1/6W J 47K	
	CN703	GJ345252020109	WAFER	2PINS			R 724	GJ250081022103	CARBON RESISTOR	1/6W J 1K	
	CN704	GJ340021160108	CONNECTOR	16PIN			R 725	GJ250084732103	CARBON RESISTOR	1/6W J 47K	
	CN705	GJ340121050108	CONNECTOR	5PIN			R 726	GJ250081022103	CARBON RESISTOR	1/6W J 1K	
	CN706	GJ340072030102	CONNECTOR	3PINS			R 727	GJ250081022103	CARBON RESISTOR	1/6W J 1K	
	CN707	GJ340072040102	CONNECTOR	4PINS			R 728	GJ250081022103	CARBON RESISTOR	1/6W J 1K	
	CN708	GJ340072050102	CONNECTOR	5PINS			R 729	GJ250081022103	CARBON RESISTOR	1/6W J 1K	
	D 701	1SS133T-77	DIODE	GJ871999133			R 730	GJ250081022103	CARBON RESISTOR	1/6W J 1K	
	D 702	1SS133T-77	DIODE	GJ871999133			R 731	GJ250081022103	CARBON RESISTOR	1/6W J 1K	
	D 703	1SS133T-77	DIODE	GJ871999133			R 732	GJ250081032103	CARBON RESISTOR	1/6W J 10K	
	D 704	1SS133T-77	DIODE	GJ871999133			R 733	GJ250084722103	CARBON RESISTOR	1/6W J 4.7K	
	FL701	BJ753GN	DISPLAY	GJ373020031110			R 734	GJ250084722103	CARBON RESISTOR	1/6W J 4.7K	
	FW701	GJ353130280110	CABLE FFC/FPC	13PINS			R 735	GJ250081022103	CARBON RESISTOR	1/6W J 1K	
	FW702	GJ353150230110	CABLE FFC/FPC	15PINS			R 736	GJ250081022103	CARBON RESISTOR	1/6W J 1K	
	FW703	GJ353050150207	CABLE FFC/FPC	5PIN			R 737	GJ250081022103	CARBON RESISTOR	1/6W J 1K	
	IC701	MN101C35DYA	IC	GJ313010661223			R 738	GJ250081022103	CARBON RESISTOR	1/6W J 1K	
	IC702	GP1U291Q	IC	GJ313010661005			R 739	GJ250081022103	CARBON RESISTOR	1/6W J 1K	
	IC703	TA8409S	IC	GJ313080291401			R 740	GJ250082212103	CARBON RESISTOR	1/6W J 220	
	L 701	GJ141033031	INDUCTOR	22UH 10%			R 741	GJ250083312103	CARBON RESISTOR	1/6W J 330	
	L 702	GJ141050931	INDUCTOR	10UH 5%			R 742	GJ250082222103	CARBON RESISTOR	1/6W J 2.2K	
	L 703	GJ141039721	F.BEAD INDUCTOR	1.1UH			R 743	GJ250082222103	CARBON RESISTOR	1/6W J 2.2K	
	L 704	GJ141039721	F.BEAD INDUCTOR	1.1UH			R 744	GJ250082242103	CARBON RESISTOR	1/6W J 220K	
	L 707	GJ141050931	INDUCTOR	10UH 5%			R 745	GJ250082222103	CARBON RESISTOR	1/6W J 2.2K	
	L 708	GJ141050931	INDUCTOR	10UH 5%			R 746	GJ250082222103	CARBON RESISTOR	1/6W J 2.2K	
	MO701	MXN-13FB12F	MOTOR	GJ381020290003			R 747	GJ250082222103	CARBON RESISTOR	1/6W J 2.2K	
	NC703	GJ354005120100	WIRE KIT	2PINS			R 748	GJ250082222103	CARBON RESISTOR	1/6W J 2.2K	
	Q 701	KTC3199/GL-T	TRANSISTOR	GJ312030111210			R 749	GJ250084722103	CARBON RESISTOR	1/6W J 4.7K	
	Q 702	KTC3199/GL-T	TRANSISTOR	GJ312030111210			R 750	GJ250084722103	CARBON RESISTOR	1/6W J 4.7K	
	Q 703	KTC3199/GL-T	TRANSISTOR	GJ312030111210			R 751	GJ250084722103	CARBON RESISTOR	1/6W J 4.7K	
	Q 704	2SC2668(O)	TRANSISTOR	GJ312020351201			R 752	GJ250084722103	CARBON RESISTOR	1/6W J 4.7K	
	Q 705	2SC2668(O)	TRANSISTOR	GJ312020351201			R 753	GJ250082222103	CARBON RESISTOR	1/6W J 2.2K	
	Q 706	2SA1175/F	TRANSISTOR	GJ872910154			R 754	GJ250082222103	CARBON RESISTOR	1/6W J 2.2K	
	Q 707	DTA114ES	TRANSISTOR	GJ872902921			R 755	GJ250082222103	CARBON RESISTOR	1/6W J 2.2K	
	Q 708	DTA114ES	TRANSISTOR	GJ872902921			R 756	GJ250082222103	CARBON RESISTOR	1/6W J 2.2K	
	Q 709	DTA114ES	TRANSISTOR	GJ872902921			R 757	GJ250081022103	CARBON RESISTOR	1/6W J 1K	
	Q 710	DTA114ES	TRANSISTOR	GJ872902921			R 758	GJ250082222103	CARBON RESISTOR	1/6W J 2.2K	
	Q 711	DTA114ES	TRANSISTOR	GJ872902921			R 759	GJ250081032103	CARBON RESISTOR	1/6W J 10K	
	Q 712	KTC3199/GL-T	TRANSISTOR	GJ312030111210			R 760	GJ250082222103	CARBON RESISTOR	1/6W J 2.2K	
	Q 713	DTC114YSTP	TRANSISTOR	GJ872990437			R 761	GJ250084732103	CARBON RESISTOR	1/6W J 47K	
	Q 714	DTC114YSTP	TRANSISTOR	GJ872990437			R 762	GJ250081032103	CARBON RESISTOR	1/6W J 10K	

■ Electrical parts list (Display board)

Block No. 02

△	Item	Parts number	Parts name	Remarks	Area
	R 763	GJ250084732103	CARBON RESISTOR	1/6W J 47K	
	R 764	GJ250084732103	CARBON RESISTOR	1/6W J 47K	
	R 765	GJ250082222103	CARBON RESISTOR	1/6W J 2.2K	
	R 766	GJ250082222103	CARBON RESISTOR	1/6W J 2.2K	
	R 767	GJ250081032103	CARBON RESISTOR	1/6W J 10K	
	R 768	GJ250081032103	CARBON RESISTOR	1/6W J 10K	
	R 769	GJ250081022103	CARBON RESISTOR	1/6W J 1K	
	R 770	GJ250082222103	CARBON RESISTOR	1/6W J 2.2K	
	R 771	GJ250082222103	CARBON RESISTOR	1/6W J 2.2K	
	R 772	GJ250082222103	CARBON RESISTOR	1/6W J 2.2K	
	R 773	GJ250082222103	CARBON RESISTOR	1/6W J 2.2K	
	R 774	GJ250081822103	CARBON RESISTOR	1/6W J 1.8K	
	R 775	GJ250082222103	CARBON RESISTOR	1/6W J 2.2K	
	R 776	GJ250081032103	CARBON RESISTOR	1/6W J 10K	
	R 778	GJ250081022103	CARBON RESISTOR	1/6W J 1K	
	R 779	GJ250081032103	CARBON RESISTOR	1/6W J 10K	
	R 780	GJ250081022103	CARBON RESISTOR	1/6W J 1K	
	R 781	GJ250081032103	CARBON RESISTOR	1/6W J 10K	
	R 782	GJ250082222103	CARBON RESISTOR	1/6W J 2.2K	
	R 783	GJ250084732103	CARBON RESISTOR	1/6W J 47K	
	R 784	GJ250082222103	CARBON RESISTOR	1/6W J 2.2K	
	R 785	GJ250082222103	CARBON RESISTOR	1/6W J 2.2K	
	R 786	GJ250081032103	CARBON RESISTOR	1/6W J 10K	
	R 787	GJ250081032103	CARBON RESISTOR	1/6W J 10K	
	R 788	GJ250081022103	CARBON RESISTOR	1/6W J 1K	
	R 789	GJ250081022103	CARBON RESISTOR	1/6W J 1K	
	R 790	GJ250082222103	CARBON RESISTOR	1/6W J 2.2K	
	R 791	GJ250082222103	CARBON RESISTOR	1/6W J 2.2K	
	R 792	GJ250083312103	CARBON RESISTOR	1/6W J 330	
	R 793	GJ250081032103	CARBON RESISTOR	1/6W J 10K	
	R 794	GJ250081032103	CARBON RESISTOR	1/6W J 10K	
	R 795	GJ250083322103	CARBON RESISTOR	1/6W J 3.3K	
	R 796	GJ250081832103	CARBON RESISTOR	1/6W J 18K	
	R 797	GJ250083392103	CARBON RESISTOR	1/6W J 3.3	
	R 798	GJ250083912103	CARBON RESISTOR	1/6W J 390	
	R 799	GJ250081512103	CARBON RESISTOR	1/6W J 150	
	RA701	GJ250082242103	CARBON RESISTOR	1/6W J 220K	
	RA702	GJ250082242103	CARBON RESISTOR	1/6W J 220K	
	RA703	GJ250082242103	CARBON RESISTOR	1/6W J 220K	
	RA704	GJ250082242103	CARBON RESISTOR	1/6W J 220K	
	RA705	GJ250082242103	CARBON RESISTOR	1/6W J 220K	
	RA706	GJ250082242103	CARBON RESISTOR	1/6W J 220K	
	RA707	GJ250082242103	CARBON RESISTOR	1/6W J 220K	
	RA708	GJ250082242103	CARBON RESISTOR	1/6W J 220K	
	RA709	GJ250082242103	CARBON RESISTOR	1/6W J 220K	
	RA710	GJ250082242103	CARBON RESISTOR	1/6W J 220K	
	RA711	GJ250082242103	CARBON RESISTOR	1/6W J 220K	
	RA712	GJ250082242103	CARBON RESISTOR	1/6W J 220K	
	RA713	GJ250082242103	CARBON RESISTOR	1/6W J 220K	
	RA714	GJ250082242103	CARBON RESISTOR	1/6W J 220K	
	RA715	GJ250082242103	CARBON RESISTOR	1/6W J 220K	
	RA716	GJ250082242103	CARBON RESISTOR	1/6W J 220K	
	RA717	GJ250082242103	CARBON RESISTOR	1/6W J 220K	
	RA718	GJ250082242103	CARBON RESISTOR	1/6W J 220K	
	RA719	GJ250082242103	CARBON RESISTOR	1/6W J 220K	
	RA720	GJ250082242103	CARBON RESISTOR	1/6W J 220K	
	RA721	GJ250082242103	CARBON RESISTOR	1/6W J 220K	
	RA722	GJ250082242103	CARBON RESISTOR	1/6W J 220K	
	RA723	GJ250082242103	CARBON RESISTOR	1/6W J 220K	
	RA724	GJ250082242103	CARBON RESISTOR	1/6W J 220K	
	RA725	GJ250082242103	CARBON RESISTOR	1/6W J 220K	
	RA726	GJ250082242103	CARBON RESISTOR	1/6W J 220K	
	RA727	GJ250082242103	CARBON RESISTOR	1/6W J 220K	

△	Item	Parts number	Parts name	Remarks	Area
	RA728	GJ250082242103	CARBON RESISTOR	1/6W J 220K	
	RA729	GJ250082242103	CARBON RESISTOR	1/6W J 220K	
	R1037	GJ250082232103	CARBON RESISTOR	1/6W J 22K	
	R1038	GJ250082232103	CARBON RESISTOR	1/6W J 22K	
	R1039	GJ250088232103	CARBON RESISTOR	1/6W J 82K	
	R1040	GJ250088232103	CARBON RESISTOR	1/6W J 82K	
	R1041	GJ250085632103	CARBON RESISTOR	1/6W J 56K	
	R1042	GJ250085632103	CARBON RESISTOR	1/6W J 56K	
	R1043	GJ250084732103	CARBON RESISTOR	1/6W J 47K	
	R1044	GJ250081032103	CARBON RESISTOR	1/6W J 10K	
	R1045	GJ250081032103	CARBON RESISTOR	1/6W J 10K	
	R1046	GJ250081032103	CARBON RESISTOR	1/6W J 10K	
	R1047	GJ250084732103	CARBON RESISTOR	1/6W J 47K	
	R1048	GJ250084732103	CARBON RESISTOR	1/6W J 47K	
	R1049	GJ250081032103	CARBON RESISTOR	1/6W J 10K	
	R1050	GJ250081032103	CARBON RESISTOR	1/6W J 10K	
	R1051	GJ250084732103	CARBON RESISTOR	1/6W J 47K	
	X 701	CSA8.00MTZ 200	RESONATOR	GJ178159811	
	X 702	GJ361000230009	CRYSTAL		

■ Electrical parts list (Power switch board)

Block No. 03

△	Item	Parts number	Parts name	Remarks	Area
	LED11	GJ374301012101	LED		
	R1006	GJ250086812103	CARBON RESISTOR	1/6W J 680	
	S1001	SOA-123HS	TACT SWITCH	(POWER)	
	W1002	GJ353030140107	CABLE FLAT	3PINS	

■ Electrical parts list (Function board 1)

Block No. 04

△	Item	Parts number	Parts name	Remarks	Area
	LED12	SLR-342MCT32	LED	GJ374301022103	
	LED13	SLR-342MCT32	LED	GJ374301022103	
	R1001	GJ250086812103	CARBON RESISTOR	1/6W J 680	
	R1002	GJ250086812103	CARBON RESISTOR	1/6W J 680	
	R1003	GJ250088212103	CARBON RESISTOR	1/6W J 820	
	R1004	GJ250081832103	CARBON RESISTOR	1/6W J 18K	B,E,EN
	R1004	GJ250086822103	CARBON RESISTOR	1/6W J 6.8K	EE,EV
	R1005	GJ250088212103	CARBON RESISTOR	1/6W J 820	EE,EV
	R1005	GJ250088222103	CARBON RESISTOR	1/6W J 8.2K	B,E,EN
	R1007	GJ250083312103	CARBON RESISTOR	1/6W J 330	
	R1008	GJ250083312103	CARBON RESISTOR	1/6W J 330	
	S1002	SOA-123HS	TACT SWITCH	(PANEL)	
	S1003	SOA-123HS	TACT SWITCH	(TAPE)	
	S1004	SOA-123HS	TACT SWITCH	(AUX)	
	W1001	GJ353050150107	FLAT CABLE	5PINS	

■ Electrical parts list (Function board 2)

Block No. 05

△	Item	Parts number	Parts name	Remarks	Area
	LED14	SLR-342MCT32	LED	GJ374301022103	
	LED15	SLR-342MCT32	LED	GJ374301022103	
	R1009	GJ250086812103	CARBON RESISTOR	1/6W J 680	
	R1017	GJ250083312103	CARBON RESISTOR	1/6W J 330	
	R1018	GJ250083312103	CARBON RESISTOR	1/6W J 330	
	S1005	SOA-123HS	TACT SWITCH	(BAND)	
	S1006	SOA-123HS	TACT SWITCH	(CD)	
	W1003	GJ353040150107	FLAT CABLE	4PINS	

■ Electrical parts list (Eject switch board) Block No. 06

△	Item	Parts number	Parts name	Remarks	Area
	R1010	GJ250086812103	CARBON RESISTOR	1/6W J 680	
	R1011	GJ250086812103	CARBON RESISTOR	1/6W J 680	
	R1012	GJ250081022103	CARBON RESISTOR	1/6W J 1K	
	R1013	GJ250081522103	CARBON RESISTOR	1/6W J 1.5K	
	R1014	GJ250082222103	CARBON RESISTOR	1/6W J 2.2K	
	R1015	GJ250082722103	CARBON RESISTOR	1/6W J 2.7K	
	S1007	SOA-123HS	TACT SWITCH	(CD1)	
	S1008	SOA-123HS	TACT SWITCH	(CD2)	
	S1009	SOA-123HS	TACT SWITCH	(CD3)	
	S1010	SOA-123HS	TACT SWITCH	(EJE1)	
	S1011	SOA-123HS	TACT SWITCH	(EJE2)	
	S1012	SOA-123HS	TACT SWITCH	(EJE3)	
	W1004	GJ353020120107	FLAT CABLE	2PINS	

■ Electrical parts list (H.phonejack board) Block No. 09

△	Item	Parts number	Parts name	Remarks	Area
	C1051	GJ116229421	A.CAPACITOR	50V B K 1000PF	
	C1052	GJ116229421	A.CAPACITOR	50V B K 1000PF	
	J1053	GJ342010160111	JACK		
	L1051	GJ141033231	INDUCTOR	47UH 10%	
	L1052	GJ141033231	INDUCTOR	47UH 10%	
	L1053	GJ141039721	F.BEAD INDUCTOR	1.1UH	
	W1051	GJ353040350107	FLAT CABLE	4PINS	

■ Electrical parts list (Volume board) Block No. 07

△	Item	Parts number	Parts name	Remarks	Area
	C1001	GJ116230621	A.CAPACITOR	16V Y M 0.01UF	
	C1002	GJ116230621	A.CAPACITOR	16V Y M 0.01UF	
	S1001	GJ299000570003	VR EVEKD		
	W1005	GJ353030080107	FLAT CABLE	3PINS	

■ Electrical parts list (Multicontrol board) Block No. 08

△	Item	Parts number	Parts name	Remarks	Area
	CN709	GJ340121050108	CONNECTOR	5PIN	
	R1019	GJ250086812103	CARBON RESISTOR	1/6W J 680	
	R1020	GJ250086812103	CARBON RESISTOR	1/6W J 680	
	R1021	GJ250088212103	CARBON RESISTOR	1/6W J 820	
	R1022	GJ250081022103	CARBON RESISTOR	1/6W J 1K	
	R1023	GJ250081522103	CARBON RESISTOR	1/6W J 1.5K	
	R1024	GJ250082222103	CARBON RESISTOR	1/6W J 2.2K	
	R1025	GJ250082722103	CARBON RESISTOR	1/6W J 2.7K	
	R1026	GJ250085622103	CARBON RESISTOR	1/6W J 5.6K	
	R1027	GJ250081232103	CARBON RESISTOR	1/6W J 12K	
	R1028	GJ250086812103	CARBON RESISTOR	1/6W J 680	
	R1029	GJ250086812103	CARBON RESISTOR	1/6W J 680	
	R1030	GJ250088212103	CARBON RESISTOR	1/6W J 820	
	R1031	GJ250081022103	CARBON RESISTOR	1/6W J 1K	
	R1032	GJ250081522103	CARBON RESISTOR	1/6W J 1.5K	
	R1033	GJ250082222103	CARBON RESISTOR	1/6W J 2.2K	
	R1034	GJ250082722103	CARBON RESISTOR	1/6W J 2.7K	
	R1035	GJ250085622103	CARBON RESISTOR	1/6W J 5.6K	
	R1036	GJ250081232103	CARBON RESISTOR	1/6W J 12K	
	S1002	GJ390030211108	PUSH SWITCH	(CLOSE)	
	S1003	GJ390030191108	PUSH SWITCH	(OPEN)	
	S1013	SOA-123HS	TACT SWITCH	(STOP)	
	S1014	SOA-123HS	TACT SWITCH	(TUN+)	
	S1015	SOA-123HS	TACT SWITCH	(TUN-)	
	S1016	SOA-123HS	TACT SWITCH	(REPEAT)	
	S1017	SOA-123HS	TACT SWITCH	(RANDOM)	
	S1018	SOA-123HS	TACT SWITCH	(PROGRAM)	
	S1019	SOA-123HS	TACT SWITCH	(S.MODE)	
	S1020	SOA-123HS	TACT SWITCH	(CANCEL)	
	S1021	SOA-123HS	TACT SWITCH	(SET)	
	S1022	SOA-123HS	TACT SWITCH	(TIM/CLK)	
	S1023	SOA-123HS	TACT SWITCH	(REC)	
	S1024	SOA-123HS	TACT SWITCH	(DUBBING)	
	S1025	SOA-123HS	TACT SWITCH	(CD REC)	
	S1026	SOA-123HS	TACT SWITCH	(REV MODE)	
	S1027	SOA-123HS	TACT SWITCH	(PRESET-)	
	S1028	SOA-123HS	TACT SWITCH	(PRESET+)	
	S1029	SOA-123HS	TACT SWITCH	(DECK A/B)	
	S1030	SOA-123HS	TACT SWITCH	(DISPLAY)	
	S1031	SOA-123HS	TACT SWITCH	(A.BASS)	

■ Electrical parts list (Cassette amplifier board) Block No. 10

△	Item	Parts number	Parts name	Remarks	Area
	C 351	GJ270192250310	E.CAPACITOR	50V VX M 2.2UF	
	C 352	GJ270121070310	E.CAPACITOR	16V VX M 100UF	
	C 353	GJ270114760310	E.CAPACITOR	10V M 47UF	
	C 354	GJ270124760310	E.CAPACITOR	16V M 47UF	
	C 355	GJ116229321	A.CAPACITOR	50V B K 820PF	
	C 356	GJ283111222432	CAPACITOR	100V K 0.0012UF	
	C 357	GJ283111532432	CAPACITOR	100V K 0.015UF	
	C 359	GJ270121070310	E.CAPACITOR	16V VX M 100UF	
	C 360	GJ116230621	A.CAPACITOR	16V Y M 0.01UF	
	C 361	GJ283116822432	CAPACITOR	100V K 0.0068UF	
	C 362	GJ283115622432	CAPACITOR	100V K 0.0056UF	
	C 363	GJ283115622432	CAPACITOR	100V K 0.0056UF	
	C 364	GJ111067121	C.CAPACITOR	47000PF F Z 50V	
	C 365	GJ270111070310	E.CAPACITOR	10V M 100UF	
	C 369	GJ270144750310	E.CAPACITOR	25V VX M 4.7UF	
	C 370	GJ270121070310	E.CAPACITOR	16V VX M 100UF	
	C 371	GJ116230621	A.CAPACITOR	16V Y M 0.01UF	
	C 372	GJ116230621	A.CAPACITOR	16V Y M 0.01UF	
	C 373	GJ116230621	A.CAPACITOR	16V Y M 0.01UF	
	C 401	GJ116229121	A.CAPACITOR	50V B K 560PF	
	C 402	GJ116229121	A.CAPACITOR	50V B K 560PF	
	C 403	GJ116221121	A.CAPACITOR	50V SL J 33PF	
	C 404	GJ283111832432	CAPACITOR	100V K 0.018UF	
	C 405	GJ270111070310	E.CAPACITOR	10V M 100UF	
	C 406	GJ116228621	A.CAPACITOR	50V B K 220PF	
	C 407	GJ270144750310	E.CAPACITOR	25V VX M 4.7UF	
	C 408	GJ270144750310	E.CAPACITOR	25V VX M 4.7UF	
	C 410	GJ264263322101	A.CAPACITOR	16V X M 0.0033UF	
	C 411	GJ270141060310	E.CAPACITOR	25V VX M 10UF	
	C 412	GJ283115632432	CAPACITOR	100V K 0.056UF	
	C 413	GJ282031032415	M.CAPACITOR	50V J 0.01UF	
	C 414	GJ116229421	A.CAPACITOR	50V B K 1000PF	
	C 415	GJ270144750310	E.CAPACITOR	25V VX M 4.7UF	
	C 416	GJ270192240310	E.CAPACITOR	50V VX M 0.22UF	
	C 417	GJ116229021	A.CAPACITOR	50V B K 470PF	
	C 418	GJ116230221	A.CAPACITOR	16V X M 0.0022UF	
	C 419	GJ116221121	A.CAPACITOR	50V SL J 33PF	
	C 420	GJ116228421	A.CAPACITOR	50V B K 150PF	
	C 501	GJ116229121	A.CAPACITOR	50V B K 560PF	
	C 502	GJ116229121	A.CAPACITOR	50V B K 560PF	
	C 503	GJ116221121	A.CAPACITOR	50V SL J 33PF	
	C 504	GJ283111832432	CAPACITOR	100V K 0.018UF	
	C 505	GJ270111070310	E.CAPACITOR	10V M 100UF	
	C 506	GJ116228621	A.CAPACITOR	50V B K 220PF	
	C 507	GJ270144750310	E.CAPACITOR	25V VX M 4.7UF	
	C 508	GJ270144750310	E.CAPACITOR	25V VX M 4.7UF	
	C 510	GJ264263322101	A.CAPACITOR	16V X M 0.0033UF	
	C 511	GJ270141060310	E.CAPACITOR	25V VX M 10UF	
	C 512	GJ283115632432	CAPACITOR	100V K 0.056UF	
	C 513	GJ282031032415	M.CAPACITOR	50V J 0.01UF	
	C 514	GJ116229421	A.CAPACITOR	50V B K 1000PF	
	C 515	GJ270144750310	E.CAPACITOR	25V VX M 4.7UF	
	C 516	GJ270192240310	E.CAPACITOR	50V VX M 0.22UF	
	C 517	GJ116229021	A.CAPACITOR	50V B K 470PF	
	C 518	GJ116230221	A.CAPACITOR	16V X M 0.0022UF	
	C 519	GJ116221121	A.CAPACITOR	50V SL J 33PF	
	C 520	GJ116228421	A.CAPACITOR	50V B K 150PF	
	CN351	GJ340022090108	CONNECTOR	9PIN	
	CN352	GJ340022160108	CONNECTOR	16PIN	
	CN353	GJ340022150108	CONNECTOR	15PIN	
	CN354	GJ158015511	HEADER	3PINS	
	C9001	GJ116229421	A.CAPACITOR	50V B K 1000PF	
	C9002	GJ116229421	A.CAPACITOR	50V B K 1000PF	

△	Item	Parts number	Parts name	Remarks	Area
	C9003	GJ260771812412	C.CAPACITOR	50V SL J 180PF	
	C9004	GJ260771812412	C.CAPACITOR	50V SL J 180PF	
	C9005	GJ116230621	A.CAPACITOR	16V Y M 0.01UF	
	C9006	GJ116230621	A.CAPACITOR	16V Y M 0.01UF	
	C9007	GJ116230621	A.CAPACITOR	16V Y M 0.01UF	
	C9102	GJ116230621	A.CAPACITOR	16V Y M 0.01UF	
	D 351	1SS133T-77	DIODE	GJ871999133	
	D 352	1SS133T-77	DIODE	GJ871999133	
	D 353	1SS133T-77	DIODE	GJ871999133	
	D 354	1SS133T-77	DIODE	GJ871999133	
	D 355	1SS133T-77	DIODE	GJ871999133	
	FW351	GJ353090220110	CABLE FFC/FPC	9PINS	
	FW352	GJ353160230110	CABLE FFC/FPC	16PINS	
	FW353	GJ353150240110	CABLE FFC/FPC	15PINS	
	IC401	BA3126N	IC	GJ3130301403	
	IC402	TA8189N	IC	GJ875924258	
	J 391	GJ250081022103	CARBON RESISTOR	1/6W J 1K	
	L 351	GJ320060040105	COIL	BLACK	
	L 401	GJ141078021	MICRO INDUCTOR	27MH 5%	
	L 501	GJ141078021	MICRO INDUCTOR	27MH 5%	
	L9001	GJ141039721	F.BEAD INDUCTOR	1.1UH	
	L9002	GJ141039721	F.BEAD INDUCTOR	1.1UH	
	Q 352	KTC3200GR	TRANSISTOR	GJ312030131210	
	Q 353	KTC3200GR	TRANSISTOR	GJ312030131210	
	Q 354	DTA114YSTP	TRANSISTOR	GJ872990281	
	Q 355	DTA114YSTP	TRANSISTOR	GJ872990281	
	Q 356	2SC2001/LK/-T	TRANSISTOR	GJ312020012202	
	Q 357	2SC2001/LK/-T	TRANSISTOR	GJ312020012202	
	Q 358	2SA1175TP-F	TRANSISTOT	GJ872910154	
	Q 359	2SA1175TP-F	TRANSISTOT	GJ872910154	
	Q 360	DTC144ESATP	TRANSISTOR	GJ872903003	
	Q 361	DTC144ESATP	TRANSISTOR	GJ872903003	
	Q 362	DTC144ESATP	TRANSISTOR	GJ872903003	
	Q 363	DTC114YSTP	TRANSISTOR	GJ872990437	
	Q 364	DTC114YSTP	TRANSISTOR	GJ872990437	
	Q 365	DTC144ESATP	TRANSISTOR	GJ872903003	
	Q 366	DTC114YSTP	TRANSISTOR	GJ872990437	
	Q 367	2SA934/QR/-T	TRANSISTOR	GJ872999343	
	Q 368	2SA934/QR/-T	TRANSISTOR	GJ872999343	
	Q 369	KTC3199/GL/-T	TRANSISTOR	GJ312030111210	
	Q 370	2SA934/QR/-T	TRANSISTOR	GJ872999343	
	Q 371	KTC3199/GL/-T	TRANSISTOR	GJ312030111210	
	Q 401	DTC114TSTP	TRANSISTOR	GJ872990440	
	Q 402	2SD2144S/VW/-T	TRANSISTOR	GJ872992241	
	Q 403	2SD2144S/VW/-T	TRANSISTOR	GJ872992241	
	Q 501	DTC114TSTP	TRANSISTOR	GJ872990440	
	Q 502	2SD2144S/VW/-T	TRANSISTOR	GJ872992241	
	Q 503	2SD2144S/VW/-T	TRANSISTOR	GJ872992241	
	R 351	GJ250081032103	CARBON RESISTOR	1/6W J 10K	
	R 352	GJ250081012103	CARBON RESISTOR	1/6W J 100	
	R 353	GJ250081052103	RESISTOR	1/6W J 1M	
	R 354	GJ250082212103	CARBON RESISTOR	1/6W J 220	
	R 355	GJ250081032103	CARBON RESISTOR	1/6W J 10K	
	R 356	GJ250081032103	CARBON RESISTOR	1/6W J 10K	
	R 357	GJ250081832103	CARBON RESISTOR	1/6W J 18K	
	R 358	GJ250081832103	CARBON RESISTOR	1/6W J 18K	
	R 359	GJ250081002103	CARBON RESISTOR	1/6W J 10	
	R 360	GJ250081002103	CARBON RESISTOR	1/6W J 10	
	R 361	GJ250084792103	CARBON RESISTOR	1/6W J 4.7	
	R 362	GJ250081212103	CARBON RESISTOR	1/6W J 120	
	R 363	GJ250085602103	CARBON RESISTOR	1/6W J 56	
	R 364	GJ250081032103	CARBON RESISTOR	1/6W J 10K	
	R 365	GJ250081032103	CARBON RESISTOR	1/6W J 10K	

■ Electrical parts list(Cassette amplifier board) Block No. 10

△	Item	Parts number	Parts name	Remarks	Area
	R 366	GJ250084722103	CARBON RESISTOR	1/6W J 4.7K	
	R 367	GJ250081032103	CARBON RESISTOR	1/6W J 10K	
	R 368	GJ250081032103	CARBON RESISTOR	1/6W J 10K	
	R 369	GJ250081032103	CARBON RESISTOR	1/6W J 10K	
	R 370	GJ250084722103	CARBON RESISTOR	1/6W J 4.7K	
	R 371	GJ250082222103	CARBON RESISTOR	1/6W J 2.2K	
	R 372	GJ250082222103	CARBON RESISTOR	1/6W J 2.2K	
	R 373	GJ250082222103	CARBON RESISTOR	1/6W J 2.2K	
	R 374	GJ250082222103	CARBON RESISTOR	1/6W J 2.2K	
	R 375	GJ250084732103	CARBON RESISTOR	1/6W J 47K	
	R 376	GJ250082232103	CARBON RESISTOR	1/6W J 22K	
	R 378	GJ250081032103	CARBON RESISTOR	1/6W J 10K	
	R 379	GJ250084722103	CARBON RESISTOR	1/6W J 4.7K	
	R 380	GJ250082222103	CARBON RESISTOR	1/6W J 2.2K	
	R 381	GJ250082222103	CARBON RESISTOR	1/6W J 2.2K	
	R 382	GJ250086822103	CARBON RESISTOR	1/6W J 6.8K	
	R 383	GJ250085632103	CARBON RESISTOR	1/6W J 56K	
	R 386	GJ250081022103	CARBON RESISTOR	1/6W J 1K	
	R 387	GJ250083322103	CARBON RESISTOR	1/6W J 3.3K	
	R 388	GJ250081022103	CARBON RESISTOR	1/6W J 1K	
	R 389	GJ250083322103	CARBON RESISTOR	1/6W J 3.3K	
	R 390	GJ250084722103	CARBON RESISTOR	1/6W J 4.7K	
	R 391	GJ250081512103	CARBON RESISTOR	1/6W J 150	
	R 392	GJ250083322103	CARBON RESISTOR	1/6W J 3.3K	
	R 393	GJ250084722103	CARBON RESISTOR	1/6W J 4.7K	
	R 394	GJ250081512103	CARBON RESISTOR	1/6W J 150	
	R 399	GJ250081022103	CARBON RESISTOR	1/6W J 1K	
	R 401	GJ250081042103	CARBON RESISTOR	1/6W J 100K	
	R 402	GJ250086822103	CARBON RESISTOR	1/6W J 6.8K	
	R 403	GJ250089122103	CARBON RESISTOR	1/6W J 9.1K	
	R 404	GJ250081012103	CARBON RESISTOR	1/6W J 100	
	R 405	GJ250081532103	CARBON RESISTOR	1/6W J 15K	
	R 407	GJ250086832103	CARBON RESISTOR	1/6W J 68K	
	R 408	GJ250083322103	CARBON RESISTOR	1/6W J 3.3K	
	R 409	GJ250081542103	CARBON RESISTOR	1/6W J 150K	
	R 410	GJ250081222103	CARBON RESISTOR	1/6W J 1.2K	
	R 411	GJ250082222103	CARBON RESISTOR	1/6W J 2.2K	
	R 412	GJ250083322103	CARBON RESISTOR	1/6W J 3.3K	
	R 413	GJ250082232103	CARBON RESISTOR	1/6W J 22K	
	R 414	GJ250084722103	CARBON RESISTOR	1/6W J 4.7K	
	R 415	GJ250084732103	CARBON RESISTOR	1/6W J 47K	
	R 416	GJ250086822103	CARBON RESISTOR	1/6W J 6.8K	
	R 417	GJ250082232103	CARBON RESISTOR	1/6W J 22K	
	R 418	GJ250082222103	CARBON RESISTOR	1/6W J 2.2K	
	R 420	GJ250082222103	CARBON RESISTOR	1/6W J 2.2K	
	R 421	GJ250081822103	CARBON RESISTOR	1/6W J 1.8K	
	R 501	GJ250081042103	CARBON RESISTOR	1/6W J 100K	
	R 502	GJ250086822103	CARBON RESISTOR	1/6W J 6.8K	
	R 503	GJ250089122103	CARBON RESISTOR	1/6W J 9.1K	
	R 504	GJ250081012103	CARBON RESISTOR	1/6W J 100	
	R 505	GJ250081532103	CARBON RESISTOR	1/6W J 15K	
	R 507	GJ250086832103	CARBON RESISTOR	1/6W J 68K	
	R 508	GJ250083322103	CARBON RESISTOR	1/6W J 3.3K	
	R 509	GJ250081542103	CARBON RESISTOR	1/6W J 150K	
	R 510	GJ250081222103	CARBON RESISTOR	1/6W J 1.2K	
	R 511	GJ250082222103	CARBON RESISTOR	1/6W J 2.2K	
	R 512	GJ250083322103	CARBON RESISTOR	1/6W J 3.3K	
	R 513	GJ250082232103	CARBON RESISTOR	1/6W J 22K	
	R 514	GJ250084722103	CARBON RESISTOR	1/6W J 4.7K	
	R 515	GJ250084732103	CARBON RESISTOR	1/6W J 47K	
	R 516	GJ250086822103	CARBON RESISTOR	1/6W J 6.8K	
	R 517	GJ250082232103	CARBON RESISTOR	1/6W J 22K	
	R 518	GJ250082222103	CARBON RESISTOR	1/6W J 2.2K	

△	Item	Parts number	Parts name	Remarks	Area
	R 520	GJ250082222103	CARBON RESISTOR	1/6W J 2.2K	
	R 521	GJ250081822103	CARBON RESISTOR	1/6W J 1.8K	
	R9001	GJ250081022103	CARBON RESISTOR	1/6W J 1K	

■ Electrical parts list(Power transformer board) Block No. 11

△	Item	Parts number	Parts name	Remarks	Area
△	F 951	GJ369000030008	FUSE	1.25A 250V	
△	F 952	GJ369000490008	FUSE	1.6A 250V	
	FT951	QNG0003-001Z	FUSE CLIP	FOR TWE USE	
	FT952	QNG0003-001Z	FUSE CLIP	FOR TWE USE	
	FW951	GJ353090190107	CABLE FLAT	9PINS	
△	T 951	GJ336760070013	POWER TRANS.	230V 50HZ	
	TB901	GJ727000010000	SOLDERING		
	TB902	GJ727000010000	SOLDERING		

■ Electrical parts list(CD servo board)

Block No. 12

△	Item	Parts number	Parts name	Remarks	Area	△	Item	Parts number	Parts name	Remarks	Area
	C 251	NCS21HJ-100X	C CAPACITOR				CN651	QGF1016F1-19	CONNECTOR	MAIN	
	C 252	NCS21HJ-100X	C CAPACITOR				CN652	QGF1016F1-05	CONNECTOR	OSD	
	C 253	NCB21EK-104X	C CAPACITOR				CN653	QGF1016F1-13	CONNECTOR	CD TEXT	
	C 254	QERF1AM-476Z	E CAPACITOR	47MF 20% 10V			CN801	QGA2001C1-06	6P PLUG ASSY	TRAVERSE	
	C 255	NCB21EK-104X	C CAPACITOR				CN851	QGD2503F1-03	SOCKET	DISC DETECTION	
	C 281	NCB21HK-223X	C CAPACITOR				CN854	QGB2016K1-07	CONNECTOR	TRAY SWITCH	
	C 291	QERF1AM-476Z	E CAPACITOR	47MF 20% 10V			CN855	QGB2012K2-10	CONNECTOR	CAM SWITCH	
	C 601	NCB21HK-102X	C CAPACITOR				IC251	UPD78055GCA37	IC	MICOM	
	C 602	NCB21HK-102X	C CAPACITOR				IC601	AN8806SB-W	IC	RF AMP	
	C 603	NCB21HK-223X	C CAPACITOR				IC651	MN35510	IC	DSP & DAC	
	C 604	NCB21HK-223X	C CAPACITOR				IC801	BA6897FP-W	IC	PU DRIVE	
	C 605	NCS21HJ-271X	C CAPACITOR				IC851	TA8409S	IC	L MOTOR DRIVE	
	C 606	NCS21HJ-181X	C CAPACITOR				IC852	TA8409S	IC	R MOTOR DRIVE	
	C 607	NCB21HK-222X	C CAPACITOR				L 851	QQL01BK-100Z	INDUCTOR	VS DE-COUPLE	
	C 608	NCB21HK-223X	C CAPACITOR				L 853	QQL01BK-100Z	INDUCTOR	L MOTOR	
	C 610	NCB21EK-104X	C CAPACITOR				L 854	QQL01BK-100Z	INDUCTOR	R MOTOR	
	C 611	NCB21EK-104X	C CAPACITOR				Q 291	2SB1357/EF/-T	TRANSISTOR		
	C 612	QER41HM-105	E CAPACITOR	1.0MF 20% 50V			Q 631	2SA1037AK/RS/-X	TRANSISTOR		
	C 613	NCS21HJ-101X	C CAPACITOR				Q 842	DTA144ES-T	TRANSISTOR		
	C 614	NCB21HK-273X	C CAPACITOR				R 251	NRSA02J-102X	MG RESISTOR		
	C 615	NCB21HK-472X	C CAPACITOR				R 252	NRSA02J-102X	MG RESISTOR		
	C 616	NCB21HK-103X	C CAPACITOR				R 253	NRSA02J-102X	MG RESISTOR		
	C 617	NCS21HJ-331X	C CAPACITOR				R 254	NRSA02J-102X	MG RESISTOR		
	C 621	NCB21EK-104X	C CAPACITOR				R 255	NRSA02J-102X	MG RESISTOR		
	C 623	NCF21CZ-105X	C CAPACITOR				R 256	NRSA02J-102X	MG RESISTOR		
	C 624	QER41AM-107	E CAPACITOR	100MF 20% 10V			R 257	NRSA02J-102X	MG RESISTOR		
	C 631	QER41CM-106	E CAPACITOR	10MF 20% 16V			R 258	NRSA02J-102X	MG RESISTOR		
	C 632	NCF21CZ-105X	C CAPACITOR				R 259	NRSA02J-101X	MG RESISTOR		
	C 633	NCB21HK-223X	C CAPACITOR				R 260	NRSA02J-102X	MG RESISTOR		
	C 651	NCS21HJ-120X	C CAPACITOR				R 261	NRSA02J-102X	MG RESISTOR		
	C 652	NCS21HJ-150X	C CAPACITOR				R 262	NRSA02J-102X	MG RESISTOR		
	C 653	NCB21EK-104X	C CAPACITOR				R 263	NRSA02J-102X	MG RESISTOR		
	C 654	NCB21HK-223X	C CAPACITOR				R 264	NRSA02J-102X	MG RESISTOR		
	C 655	QER41AM-227	E CAPACITOR	220MF 20% 10V			R 265	NRSA02J-223X	MG RESISTOR		
	C 656	NCB21EK-104X	C CAPACITOR				R 266	NRSA02J-102X	MG RESISTOR		
	C 657	NCB21HK-222X	C CAPACITOR				R 267	NRSA02J-102X	MG RESISTOR		
	C 658	NCB21HK-222X	C CAPACITOR				R 268	NRSA02J-102X	MG RESISTOR		
	C 661	NCB21EK-104X	C CAPACITOR				R 269	NRSA02J-102X	MG RESISTOR		
	C 662	QER41AM-107	E CAPACITOR	100MF 20% 10V			R 274	NRSA02J-102X	MG RESISTOR		
	C 663	NCB21EK-104X	C CAPACITOR				R 275	NRSA02J-102X	MG RESISTOR		
	C 664	NCB21HK-223X	C CAPACITOR				R 276	NRSA02J-102X	MG RESISTOR		
	C 665	NCB21HK-223X	C CAPACITOR				R 277	NRSA02J-102X	MG RESISTOR		
	C 666	NCS21HJ-471X	C CAPACITOR				R 278	NRSA02J-102X	MG RESISTOR		
	C 667	NCF21CZ-105X	C CAPACITOR				R 279	NRSA02J-102X	MG RESISTOR		
	C 668	NCB21HK-473X	C CAPACITOR				R 281	NRSA02J-102X	MG RESISTOR		
	C 671	NCB21EK-104X	C CAPACITOR				R 282	NRSA02J-102X	MG RESISTOR		
	C 672	QER41AM-107	E CAPACITOR	100MF 20% 10V			R 283	NRSA02J-102X	MG RESISTOR		
	C 801	NCB21HK-822X	C CAPACITOR				R 284	NRSA02J-102X	MG RESISTOR		
	C 802	NCB21HK-152X	C CAPACITOR				R 285	NRSA02J-102X	MG RESISTOR		
	C 811	NCS21HJ-221X	C CAPACITOR				R 286	NRSA02J-102X	MG RESISTOR		
	C 812	NCS21HJ-221X	C CAPACITOR				R 287	NRSA02J-102X	MG RESISTOR		
	C 813	NCS21HJ-221X	C CAPACITOR				R 288	NRSA02J-102X	MG RESISTOR		
	C 814	NCS21HJ-221X	C CAPACITOR				R 291	NRSA02J-122X	MG RESISTOR		
	C 821	NCF21CZ-105X	C CAPACITOR				R 292	NRSA02J-103X	MG RESISTOR		
	C 822	QER41AM-227	E CAPACITOR	220MF 20% 10V			R 293	NRSA02J-102X	MG RESISTOR		
	C 851	QER41CM-106	E CAPACITOR	10MF 20% 16V			R 601	NRSA02J-274X	MG RESISTOR		
	C 852	QER41CM-106	E CAPACITOR	10MF 20% 16V			R 602	NRSA02J-154X	MG RESISTOR		
	C 855	NCB21EK-104X	C CAPACITOR				R 603	NRSA02J-273X	MG RESISTOR		
	C 859	NCF21CZ-105X	C CAPACITOR				R 604	NRSA02J-104X	MG RESISTOR		
	C 860	NCF21CZ-105X	C CAPACITOR				R 605	NRSA02J-154X	MG RESISTOR		
	CN151	QGF1016F1-15	15FFC CONNECTOR	VIDEO CD			R 606	NRSA02J-474X	MG RESISTOR		
	CN152	QGA2001F1-12	12P CN RIG	VIDEO CD			R 607	NRSA02J-102X	MG RESISTOR		
	CN601	QGF1016F1-15	15FFC CONNECTOR	TRAVERSE			R 611	NRSA02J-113X	MG RESISTOR		

■ Electrical parts list (CD servo board)

Block No. 12

△	Item	Parts number	Parts name	Remarks	Area
	R 612	NRSA02J-125X	MG RESISTOR		
	R 631	NRSA02J-2R2X	MG RESISTOR		
	R 632	NRSA02J-100X	MG RESISTOR		
	R 634	NRSA02J-120X	MG RESISTOR		
	R 635	NRSA02J-121X	MG RESISTOR		
	R 636	NRSA02J-910X	MG RESISTOR		
	R 651	NRSA02J-271X	MG RESISTOR		
	R 652	NRSA02J-220X	MG RESISTOR		
	R 657	NRSA02J-102X	MG RESISTOR		
	R 658	NRSA02J-102X	MG RESISTOR		
	R 661	NRSA02J-220X	MG RESISTOR		
	R 662	NRSA02J-471X	MG RESISTOR		
	R 663	NRSA02J-124X	MG RESISTOR		
	R 665	NRSA02J-683X	MG RESISTOR		
	R 666	NRSA02J-155X	MG RESISTOR		
	R 667	NRSA02J-562X	MG RESISTOR		
	R 671	NRSA02J-102X	MG RESISTOR		
	R 672	NRSA02J-102X	MG RESISTOR		
	R 673	NRSA02J-102X	MG RESISTOR		
	R 674	NRSA02J-101X	MG RESISTOR		
	R 675	NRSA02J-102X	MG RESISTOR		
	R 676	NRSA02J-102X	MG RESISTOR		
	R 677	NRSA02J-102X	MG RESISTOR		
	R 678	NRSA02J-102X	MG RESISTOR		
	R 679	NRSA02J-102X	MG RESISTOR		
	R 680	NRSA02J-102X	MG RESISTOR		
	R 681	NRSA02J-102X	MG RESISTOR		
	R 682	NRSA02J-102X	MG RESISTOR		
	R 683	NRSA02J-102X	MG RESISTOR		
	R 684	NRSA02J-271X	MG RESISTOR		
	R 685	NRSA02J-102X	MG RESISTOR		
	R 686	NRSA02J-101X	MG RESISTOR		
	R 687	NRSA02J-102X	MG RESISTOR		
	R 688	NRSA02J-101X	MG RESISTOR		
	R 689	NRSA02J-102X	MG RESISTOR		
	R 690	NRSA02J-101X	MG RESISTOR		
	R 691	NRSA02J-101X	MG RESISTOR		
	R 692	NRSA02J-101X	MG RESISTOR		
	R 693	NRSA02J-471X	MG RESISTOR		
	R 694	NRSA02J-102X	MG RESISTOR		
	R 801	NRSA02J-222X	MG RESISTOR		
	R 802	NRSA02J-472X	MG RESISTOR		
	R 803	NRSA02J-123X	MG RESISTOR		
	R 804	NRSA02J-154X	MG RESISTOR		
	R 805	NRSA02J-123X	MG RESISTOR		
	R 806	NRSA02J-223X	MG RESISTOR		
	R 807	NRSA02J-222X	MG RESISTOR		
	R 808	NRSA02J-223X	MG RESISTOR		
	R 811	NRSA02J-473X	MG RESISTOR		
	R 812	NRSA02J-223X	MG RESISTOR		
	R 831	NRSA02J-151X	MG RESISTOR		
	R 832	NRSA02J-103X	MG RESISTOR		
	R 842	NRSA02J-472X	MG RESISTOR		
	R 851	NRSA02J-102X	MG RESISTOR		
	R 852	NRSA02J-102X	MG RESISTOR		
	R 853	NRSA02J-102X	MG RESISTOR		
	R 854	NRSA02J-102X	MG RESISTOR		
	R 855	NRSA02J-102X	MG RESISTOR		
	R 856	NRSA02J-102X	MG RESISTOR		
	R 857	NRSA02J-272X	MG RESISTOR		
	R 859	NRSA02J-181X	MG RESISTOR		
	R 861	NRSA02J-102X	MG RESISTOR		
	R 862	NRSA02J-102X	MG RESISTOR		

△	Item	Parts number	Parts name	Remarks	Area
	R 863	NRSA02J-102X	MG RESISTOR		
	R 864	NRSA02J-102X	MG RESISTOR		
	R 865	NRSA02J-102X	MG RESISTOR		
	R 866	NRSA02J-102X	MG RESISTOR		
	R 880	NRSA02J-102X	MG RESISTOR		
	R 881	NRSA02J-102X	MG RESISTOR		
	R 882	NRSA02J-102X	MG RESISTOR		
	R 883	NRSA02J-102X	MG RESISTOR		
	R 884	NRSA02J-102X	MG RESISTOR		
	R 885	NRSA02J-102X	MG RESISTOR		
	R 886	NRSA02J-102X	MG RESISTOR		
	R 887	NRSA02J-102X	MG RESISTOR		
	W 601	QUB220-07HPDT	SIN TWIST WIRE	D.GND	
	X 251	QAX0360-001Z	CRYSTAL	FOR IC251	
	X 651	QAX0413-001Z	CRYSTAL	FOR IC651	

■ Electrical parts list (CD select switch board) Block No. 13

△	Item	Parts number	Parts name	Remarks	Area
	CN804	QGB2016J1-07	CONNECTOR		
	SW 1	QSW0859-001	DETECT SWITCH		
	SW 2	QSW0859-001	DETECT SWITCH		
	SW 3	QSW0859-001	DETECT SWITCH		
	SW 4	QSW0859-001	DETECT SWITCH		
	SW 5	QSW0859-001	DETECT SWITCH		
	SW 6	QSW0859-001	DETECT SWITCH		

Packing materials and accessories parts list

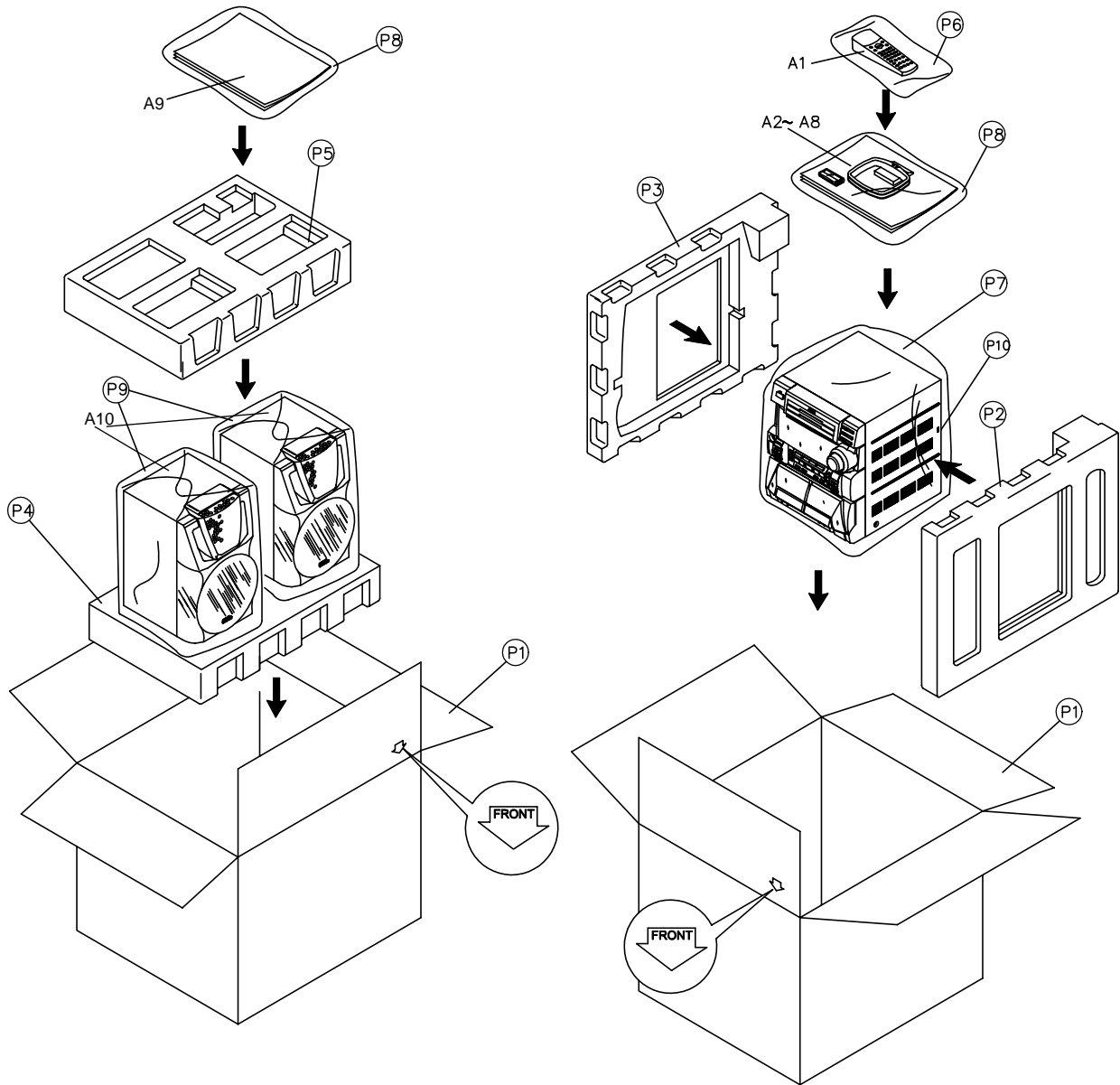
■ B,E,EN,EV Version

Block No.

M	5	M	M
---	---	---	---

Block No.

M	6	M	M
---	---	---	---



■ Parts list(Packing B,E,EN,EV)

Block No. M5MM

△	Item	Parts number	Parts name	Q'ty	Description	Area
	P 1	GJ560400180101	CARTON	1	SET	
		GJ560400170101	CARTON	1	SPEAKER BOX	
	P 2	GJ560400140101	POLYFOAM RIGHT	1		
	P 3	GJ560400130101	POLYFOAM LEFT	1		
	P 4	GJ560400160101	POLYFOAM BOTTOM	1		
	P 5	GJ560400150101	POLYFOAM TOP	1		
	P 6	GJ740082550400	POLYBAG	1	REMOTE CONTROL	
	P 7	GJ740666420300	POLYBAG	1	SET	
	P 8	GJ740362550000	POLYBAG	2	INSTRUCTIONS	
	P 9	GJ740486230300	POLYBAG	2	SPEAKER BOX	
	P 10	GJ740122550000	POLYBAG	1	AC-POWER CORD	

■ Parts list(Accessories B,E,EN,EV)

Block No. M6MM

△	Item	Parts number	Parts name	Q'ty	Description	Area
	A 1	RM-SMXJ10/E/	REMOTE CONTROL	1		
	A 2	GJ460220010201	LOOP ANTENNA	1		
	A 3	-----	BATTERY	1		
	A 4	GJ773012430101	INSTRUCTIONS	1	ENG,CZE,POL,HUN	EV
		GJ773012390101	INSTRUCTIONS	1	SWE,FIN,DAN,GER,FRE,DUT	EN
		GJ773012380101	INSTRUCTIONS	1	ENG	B
		GJ773012320101	INSTRUCTIONS	1	ENG,GER,FRE,DUT,SPA,ITA	E
	A 5	BT-54012-1	WARRANTY CARD	1		EV
		BT-54008-2	WARRANTY CARD	1		E,B,EN
	A 6	GJ351001432431	FM ANTENNA	1		
	A 7	VNA 3000-202	ACC REGISTRATION	1		B
	A 8	GJ775000230101	SAFETY INST	1		B
	A 9	GJ773012090101	MANUAL(SPEAKER)	1		
	A 10	MXJ300K-SPBOX	SPEAKER BOX	2	(PAIR)L&R	

Packing materials and accessories parts list

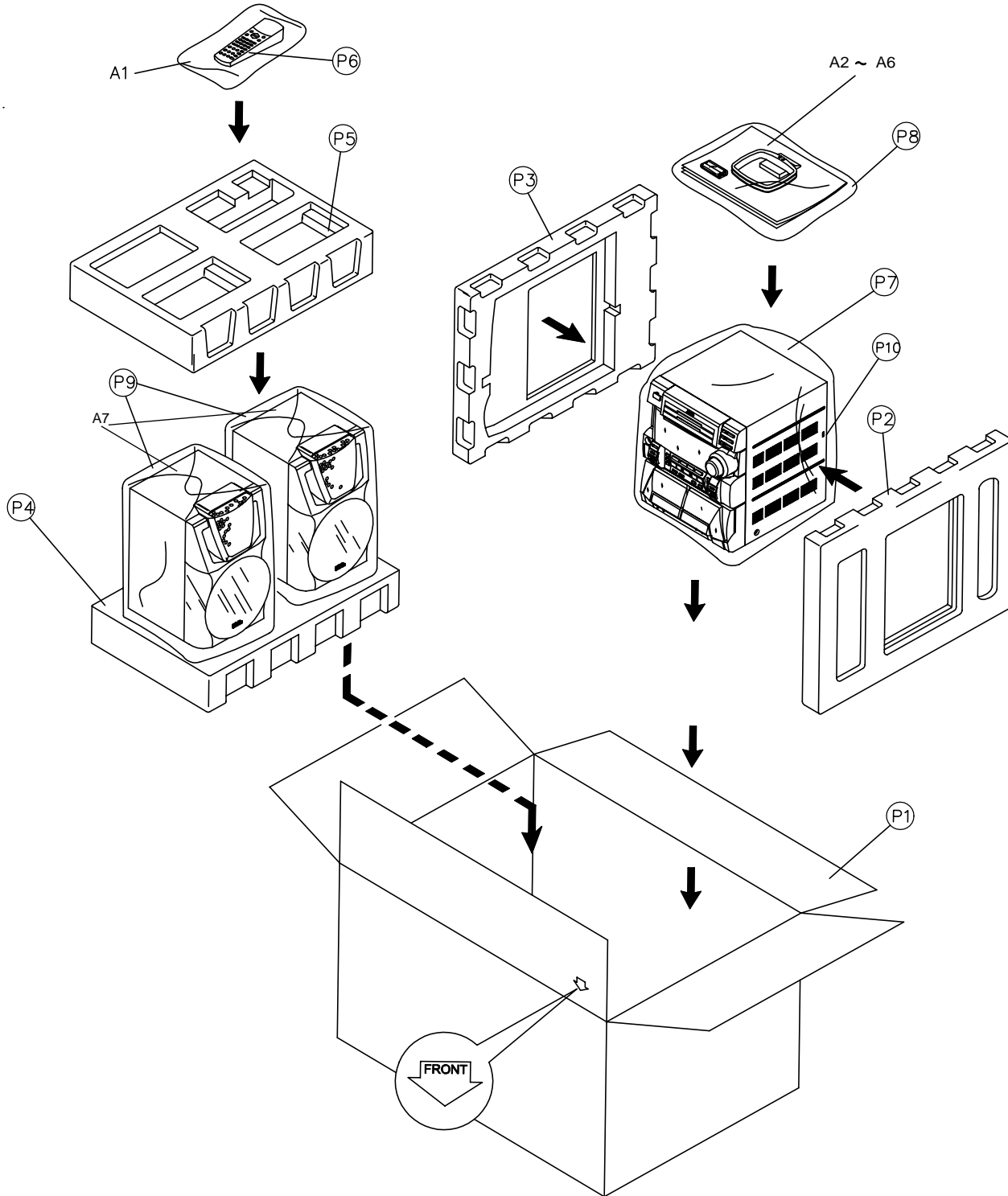
■ EE Version

Block No.

M	7	M	M
---	---	---	---

Block No.

M	8	M	M
---	---	---	---



■ Parts list(Packing EE)

Block No. M7MM

△	Item	Parts number	Parts name	Q'ty	Description	Area
	P 1	GJ560400190201	CARTON	1		
	P 2	GJ560400120101	POLYFOAM RIGHT	1		
	P 3	GJ560400110101	POLYFOAM LEFT	1		
	P 4	GJ560400160101	POLYFOAM BOTTOM	1		
	P 5	GJ560400150101	POLYFOAM TOP	1		
	P 6	GJ740082550400	POLYBAG	1	REMOTE CONTROL	
	P 7	GJ740666420300	POLYBAG	1	SET	
	P 8	GJ740362550000	POLYBAG	1	INSTRUCTIONS	
	P 9	GJ740486230300	POLYBAG	2	SPEAKER BOX	
	P 10	GJ740122550000	POLYBAG	1	AC-POWER CORD	

■ Parts list(Accessories EE)

Block No. M8MM

△	Item	Parts number	Parts name	Q'ty	Description	Area
	A 1	RM-SMJ10/E/	REMOTE CONTROL	1		
	A 2	GJ460220010201	LOOPANTENNA	1		
	A 3	-----	BATTERY	1		
	A 4	GJ773012420101	INSTRUCTIONS	1	RUS	EE
	A 5	BT-54012-1	WARRANTY CARD	1		
	A 6	GJ351001432431	FM ANTENNA	1		
	A 7	MXJ300U-SPBOX	SPEAKER BOX	2	(PAIR)L&R	